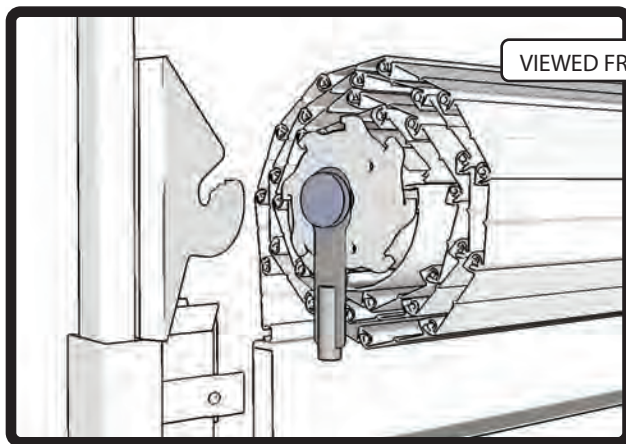


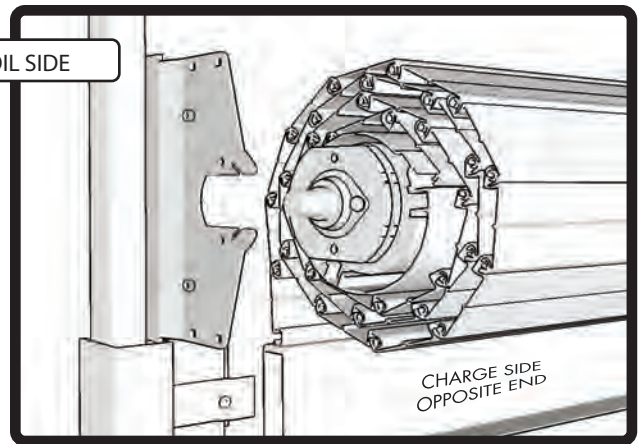
# LIFT READY®

## installation guide

This installation guide is for left-hand charge. If your grille has a right-hand charge, please adjust installation of enplates accordingly.



**LEFT HAND CHARGE**



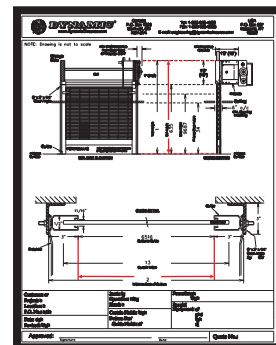
**RIGHT HAND CHARGE**



**DYNAMIC**  
www.DynamicClosures.com

PHONE: 1 · 800 · 663 · 4599 FAX: 1 · 800 · 205 · 6665

Please refer to drawing for proper orientation.



# Index

## Supports and Endplate Installation

Between Lift Ready Aluminum Angles page 1

Between Steel Angles page 5

Between Jamb page 9

Between Lift Ready Telescopic Tubes page 12

Between Steel Tubes page 16

**Curtain Installation page 19**

**Warranty page 26**

## SAFETY WARNING

- Only trained door installation technicians should install, reset or perform maintenance.
- All electrical connections are to be performed by qualified individuals and must conform to local codes.
- Door is under spring tension and can cause serious injury or death. Please take proper safety measures when adjusting tension.
- Dynamic Closures is not responsible for an improperly installed door assembly.



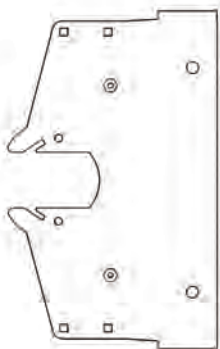
# MOUNTING OPTION

# BETWEEN LIFT READY ALUMINUM ANGLES

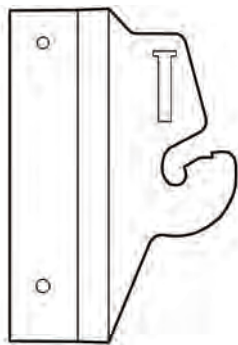
## RECOMMENDED FASTENERS

TYPE OF CONSTRUCTION TO WHICH FASTENER EMBEDS	TYPE OF FASTENERS TO USE	HOLE SIZE (DRILL DIA.)	TAP SIZE (IF REQ'D)	DEPTH OF HOLE
WOOD	Ø3/8" X 2" LAG BOLT	Ø3/16"	————	1-1/2" MAX
	Ø1/2" X 3" LAG BOLT	Ø5/16"	————	2-1/2" MAX
CONCRETE	Ø3/8" X 2-1/8" WEDGE ANCH.	Ø3/8" CARBIDE	————	1-5/8" MIN
	Ø1/2" X 2-3/4" WEDGE ANCH.	Ø1/2" CARBIDE	————	2-1/4" MIN
	Ø5/8" X 3-1/2" WEDGE ANCH.	Ø5/8" CARBIDE	————	2-7/8" MIN
	Ø3/4" X 4-1/4" WEDGE ANCH.	Ø3/4" CARBIDE	————	3-1/2" MIN
MASONRY OR BRICK	Ø5/8" X 2-1/4" SLEEVE ANCH. (Ø1/2" BOLT)	Ø5/8"	————	2" MIN
	Ø3/4" X 2-1/2" SLEEVE ANCH. (Ø5/8" BOLT)	Ø3/4"	————	2" MIN
STEEL	Ø3/8" BOLT	Ø5/16"	3/8"-16UNC	————
	Ø1/2" BOLT	Ø27/64"	1/2"-13UNC	————
	Ø5/8" BOLT	Ø17/32"	5/8"-11UNC	————
	Ø3/4" BOLT	Ø21/32"	3/4"-10UNC	————

## PARTS LIST



Idler Bracket  
(x1)



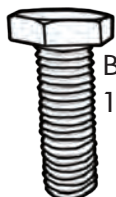
Charge Bracket  
(x1)



Aluminum Angles  
(x2)



Door Guides  
(x2)



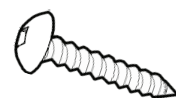
Bracket Bolt  
1/2-13x1-1/2  
(x4)



Bracket Washer  
(x4)



Bracket Nut  
1/2-13  
(x4)

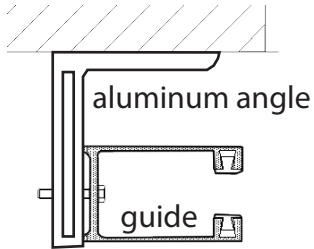


Guide screw R2 Pan  
#10x3/4 Sheet Metal Screws  
(x20)

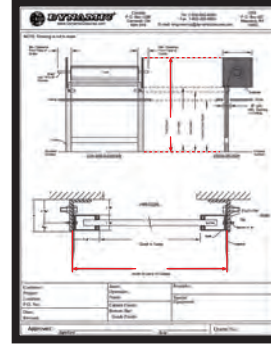
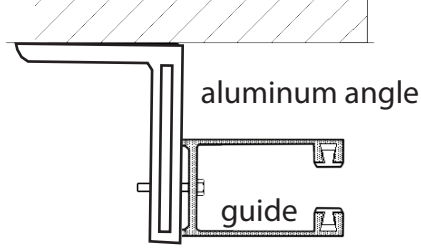
# 1

## LIFT READY ALUMINUM ANGLE INSTALLATION

### E INSTALLATION



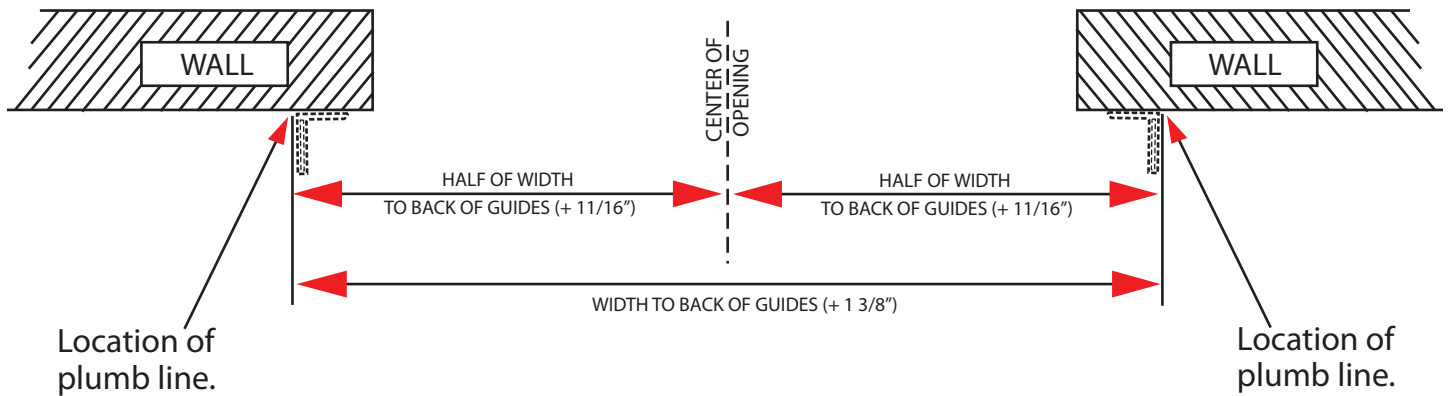
### Z INSTALLATION



The Width to back of guides distance and total height, can be found on the drawings.

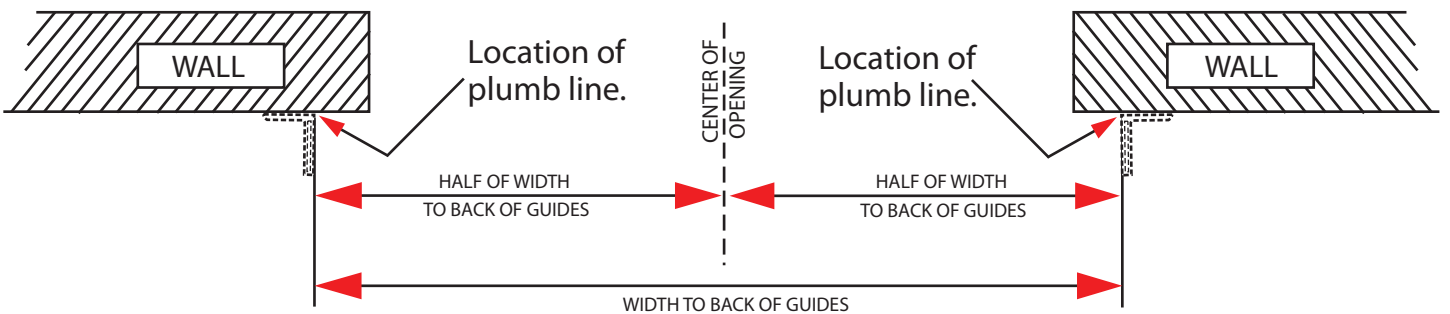
### E INSTALLATION

Locate center of the opening, then mark off the distance\* from the center line to locate angle placement (\*Distance will be half the width to back of guides + 1/4"). Mark location with plumb lines.

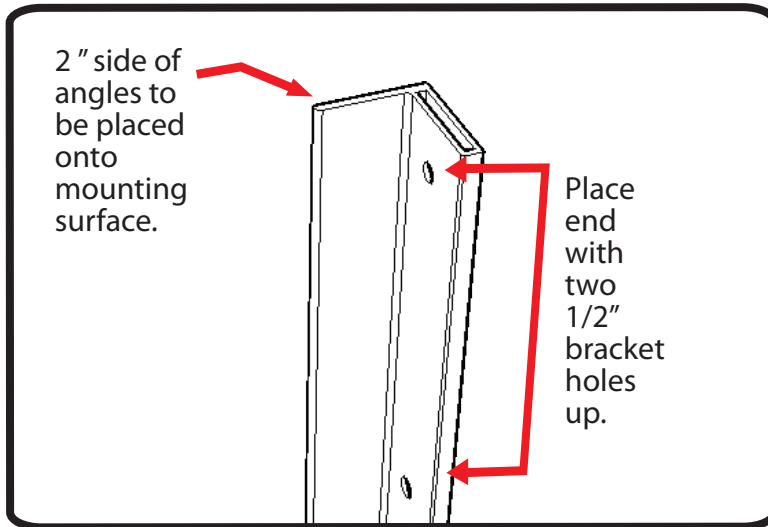
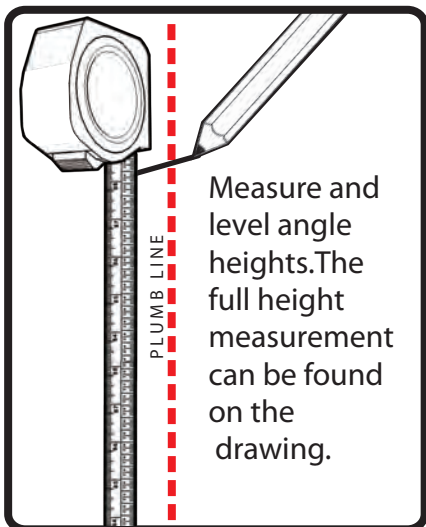


### Z INSTALLATION

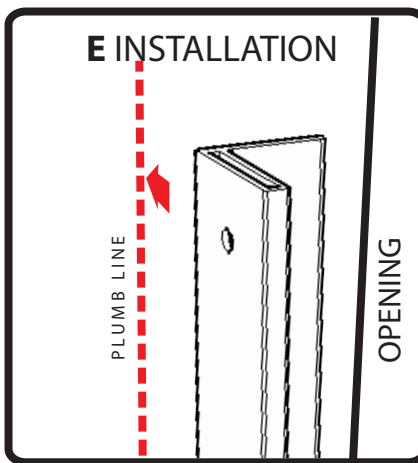
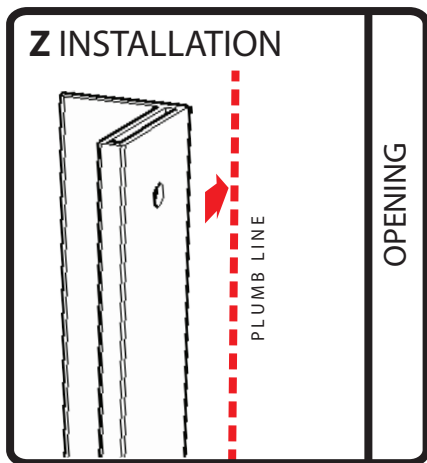
Locate center of the opening, then mark off the distance\* from the center line to locate angle placement (\*Distance will be half the width to back of guides). Mark location with plumb lines.



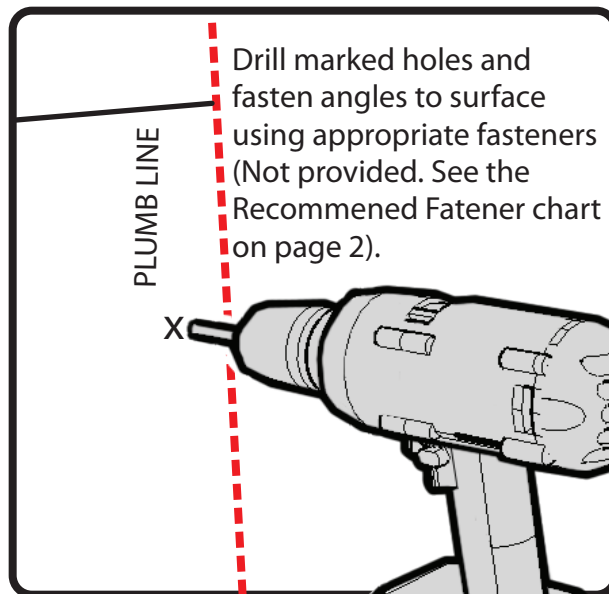
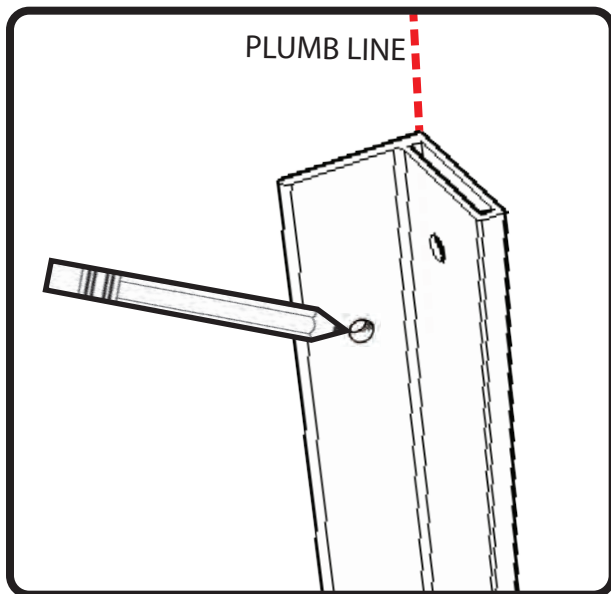
**NOTICE:** Angles must be plumb and level with each other. If the angles are not plumb and levelled, the gate may not operate properly. This may cause one of the angles to NOT sit on the floor, if floor is not level.



Align angle to plumb line with angle running away from the opening



Align angle to plumb line with angle running towards the opening



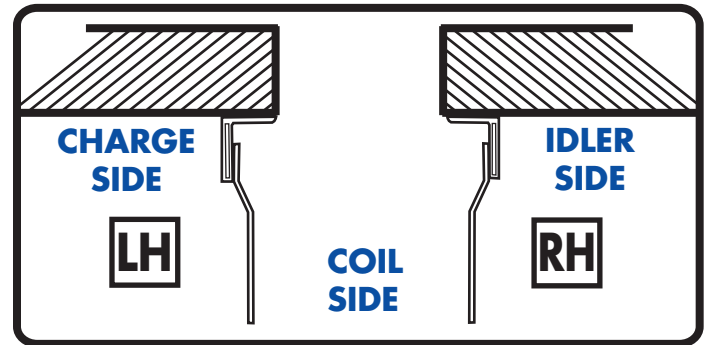
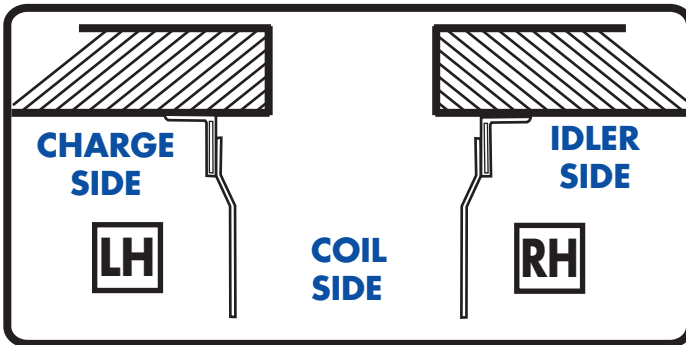
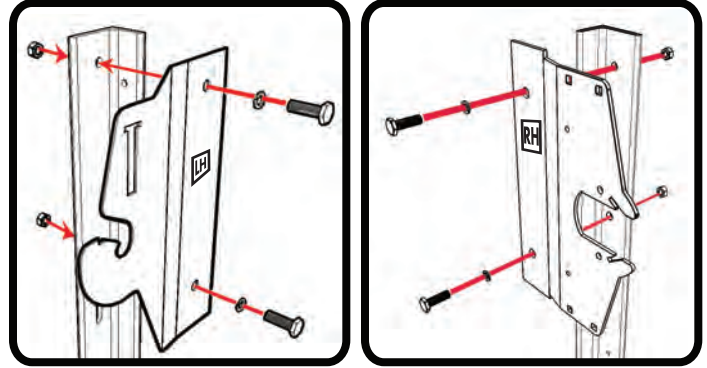
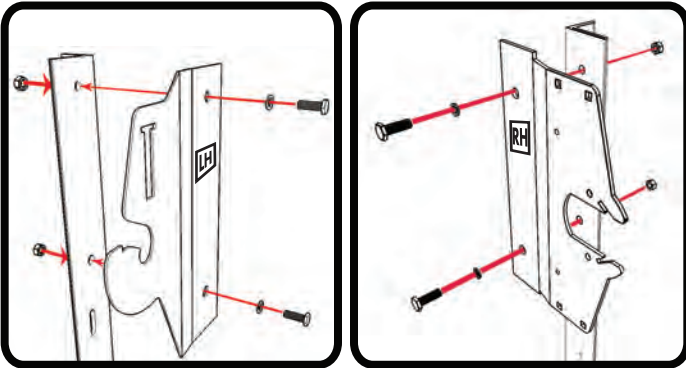
Mark and drill holes and fasten angles to surface using appropriate fasteners (Not provided. See the Recommended Fastener chart on page 2).

# 2

## BRACKET PLATE INSTALLATION

### Z INSTALLATION

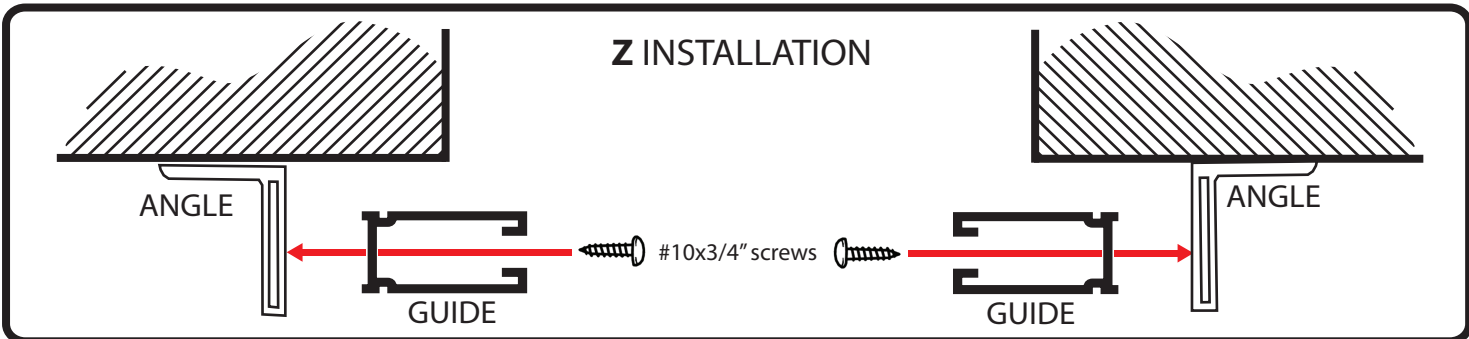
### E INSTALLATION



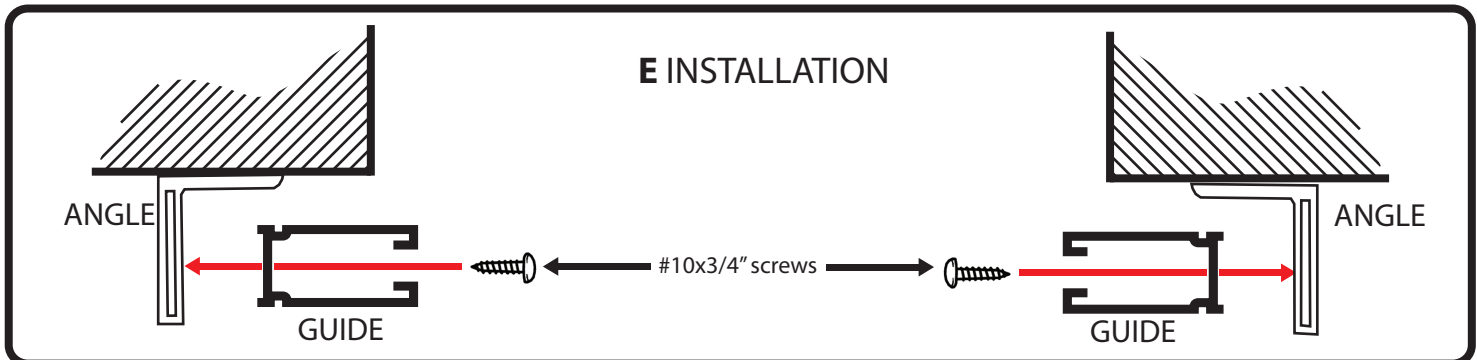
# 3

## GUIDE INSTALLATION

### Z INSTALLATION



### E INSTALLATION



**PLEASE PROCEED TO PAGE 19 FOR CURTAIN INSTALLATION**

# MOUNTING OPTION

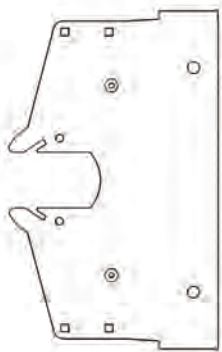
# BETWEEN STEEL ANGLES

## RECOMMENDED FASTENERS

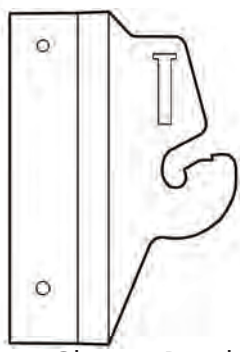
TYPE OF CUNSTRUCTION TO WHICH FASTENER EMBEDS	TYPE OF FASTENERS TO USE	HOLE SIZE (DRILL DIA.)	TAP SIZE (IF REQ'D)	DEPTH OF HOLE
WOOD	Ø3/8" X 2" LAG BOLT	Ø3/16"	————	1-1/2" MAX
	Ø1/2" X 3" LAG BOLT	Ø5/16"	————	2-1/2" MAX
CONCRETE	Ø3/8" X 2-1/8" WEDGE ANCH.	Ø3/8" CARBIDE	————	1-5/8" MIN
	Ø1/2" X 2-3/4" WEDGE ANCH.	Ø1/2" CARBIDE	————	2-1/4" MIN
	Ø5/8" X 3-1/2" WEDGE ANCH.	Ø5/8" CARBIDE	————	2-7/8" MIN
	Ø3/4" X 4-1/4" WEDGE ANCH.	Ø3/4" CARBIDE	————	3-1/2" MIN
MASONRY OR BRICK	Ø5/8" X 2-1/4" SLEEVE ANCH. (Ø1/2" BOLT)	Ø5/8"	————	2" MIN
	Ø3/4" X 2-1/2" SLEEVE ANCH. (Ø5/8" BOLT)	Ø3/4"	————	2" MIN
STEEL	Ø3/8" BOLT	Ø5/16"	3/8"-16UNC	————
	Ø1/2" BOLT	Ø27/64"	1/2"-13UNC	————
	Ø5/8" BOLT	Ø17/32"	5/8"-11UNC	————
	Ø3/4" BOLT	Ø21/32"	3/4"-10UNC	————

Angles provided with 3/8" holes. Should a larger fastener be needed, drill out the hole as required.

### PARTS LIST



Idler Bracket (x1)



Charge Bracket (x1)



Bracket Bolt  
1/2-13x1-1/2 (x4)



Bracket Washer (x4)



Bracket Nut  
1/2-13 (x4)



Guide Washer (x20)

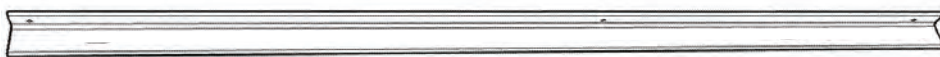


Guide screw  
R2 Flat  
#10-24x1 (x20)



Door Guides (x2)

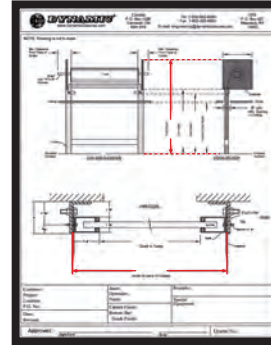
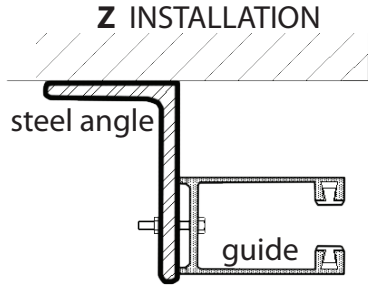
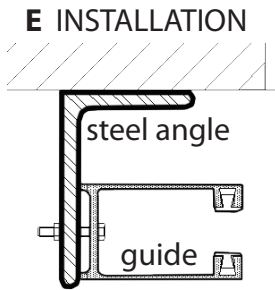
Guide Nut  
#10-24 (x20)



Steel Angles (x2)

# 1

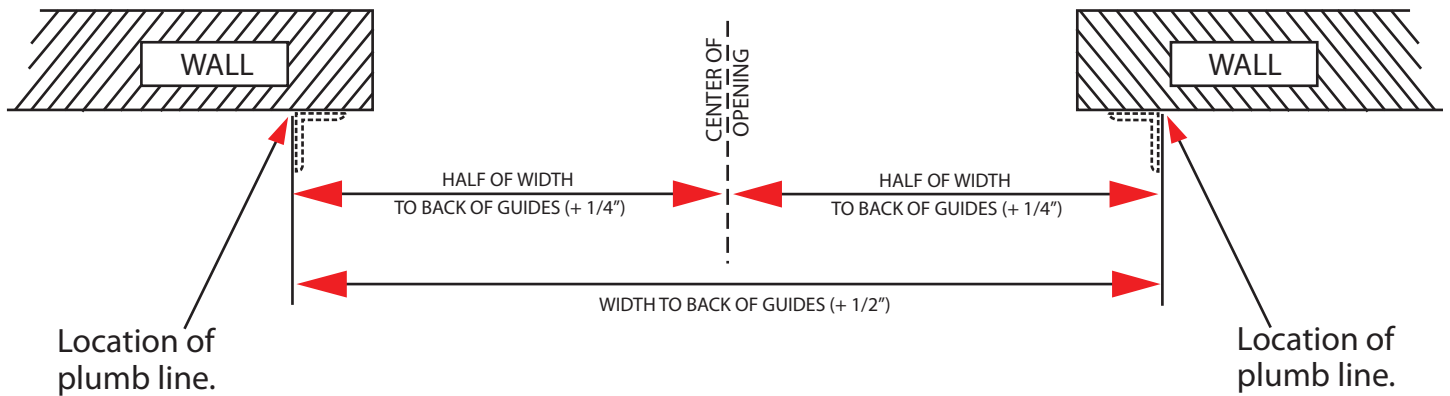
# STEEL ANGLE INSTALLATION



The Width to back of guides distance and total height, can be found on the drawings.

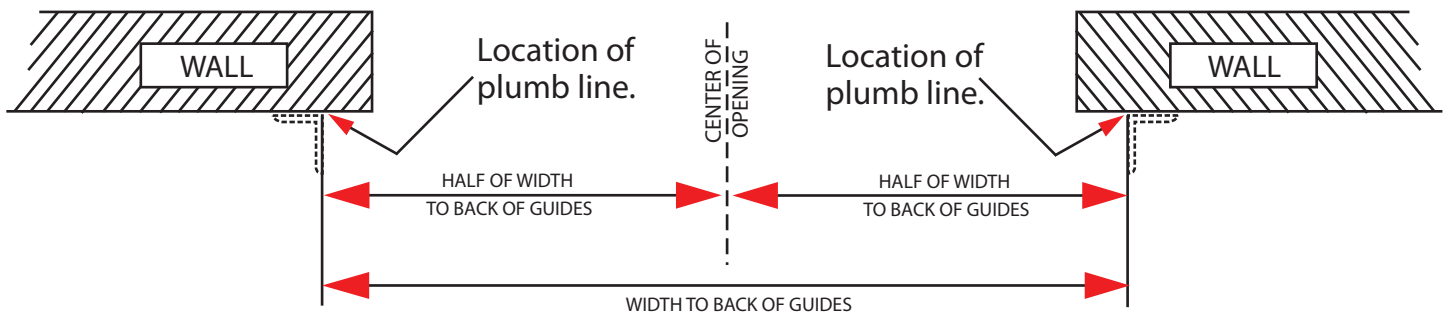
## E INSTALLATION

Locate center of the opening, then mark off the distance\* from the center line to locate angle placement (\*Distance will be half the width to back of guides + 1/4"). Mark location with plumb lines.



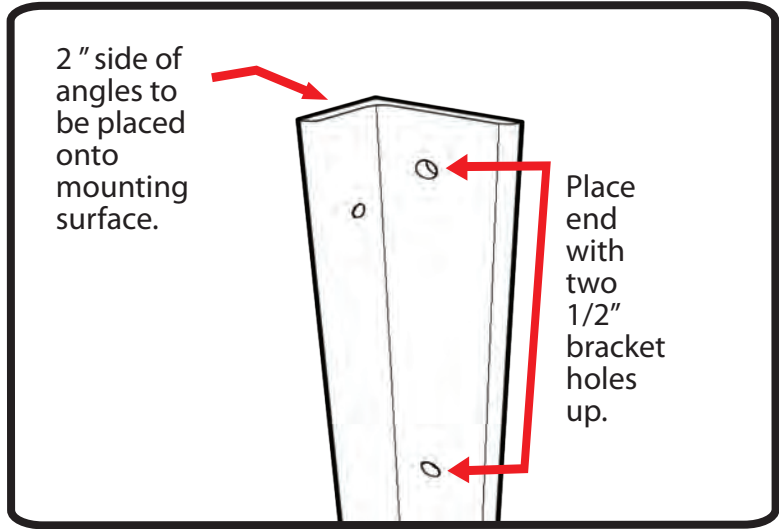
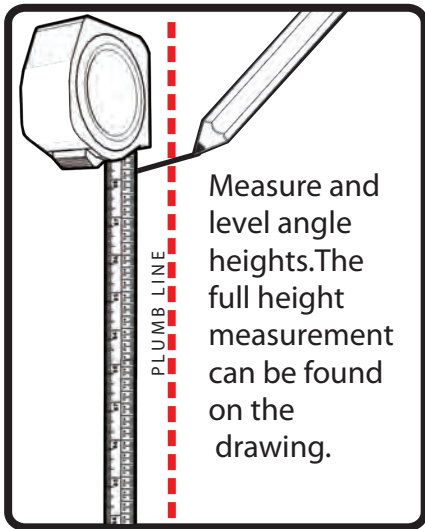
## Z INSTALLATION

Locate center of the opening, then mark off the distance\* from the center line to locate angle placement (\*Distance will be half the width to back of guides). Mark location with plumb lines.

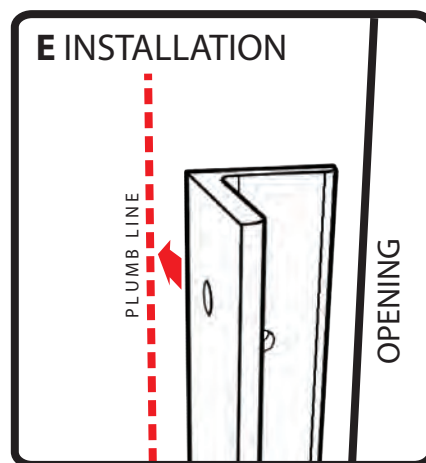
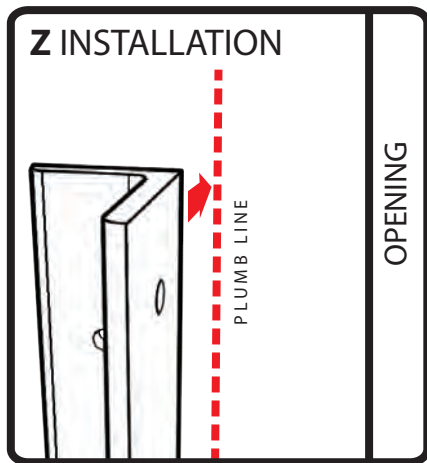


**NOTICE:** Angles must be plumb and level with each other. If the angles are not plumb and levelled, the gate may not operate properly. This may cause one of the angles to NOT sit on the floor, if floor is not level.

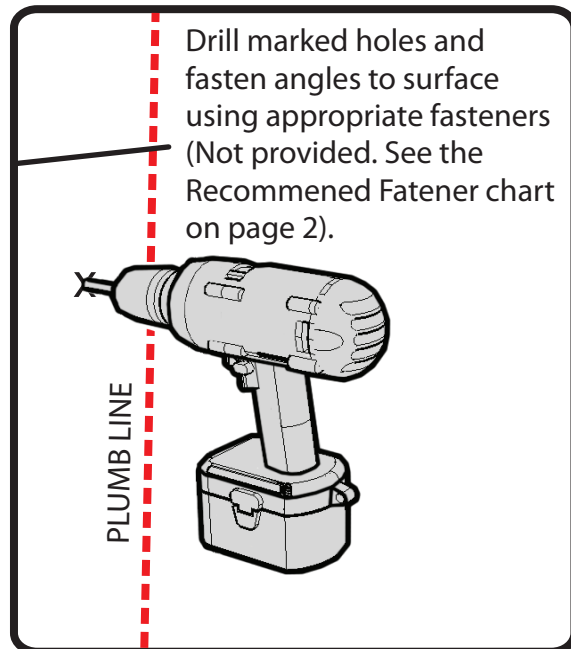
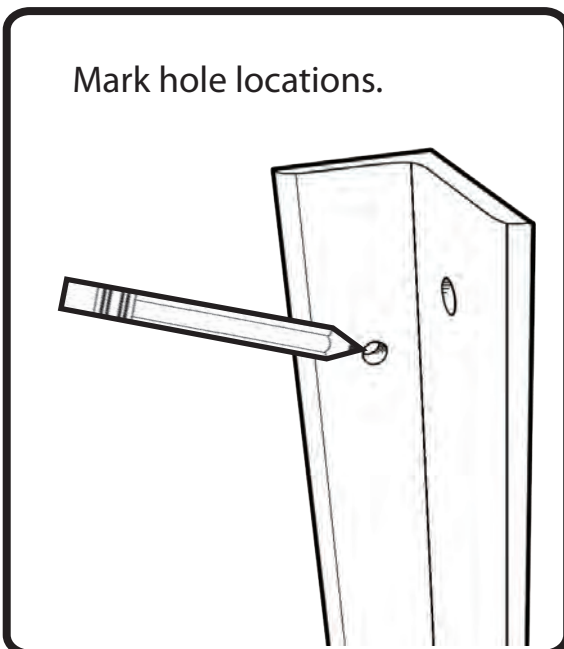




Align angle to plumb line with angle running away from the opening



Align angle to plumb line with angle running towards the opening

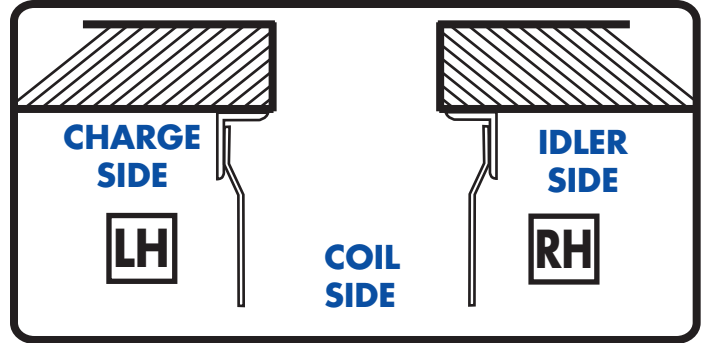
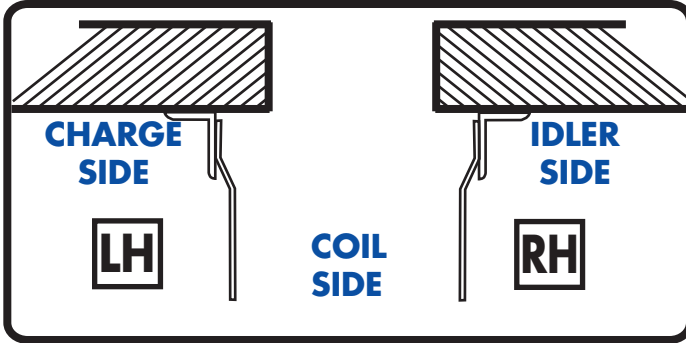
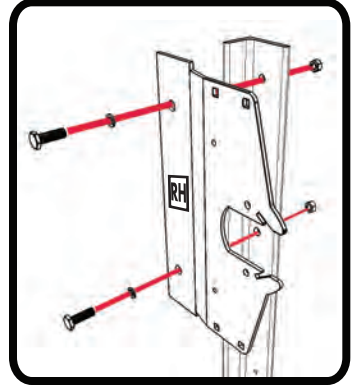
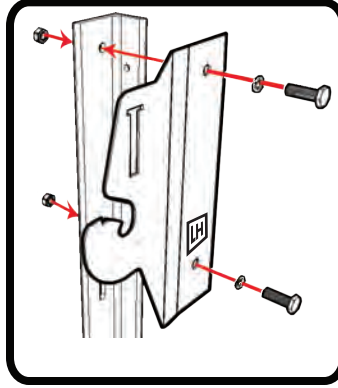
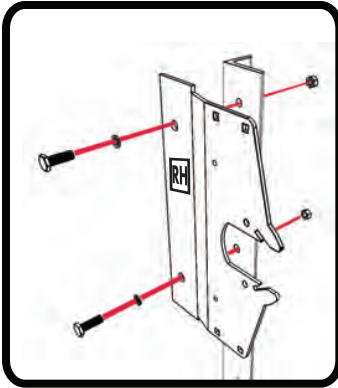
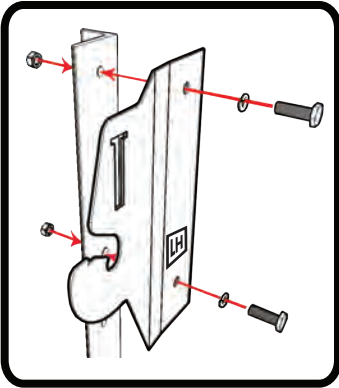


2

**BRACKET PLATE INSTALLATION**

Z INSTALLATION

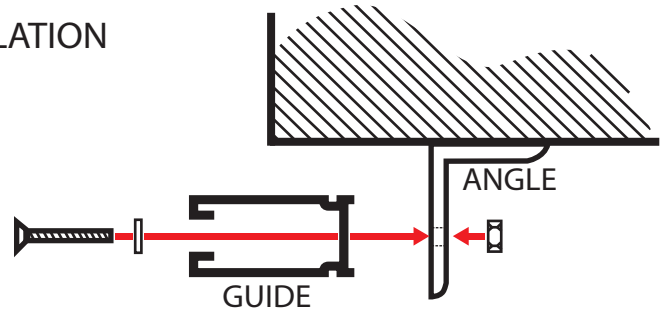
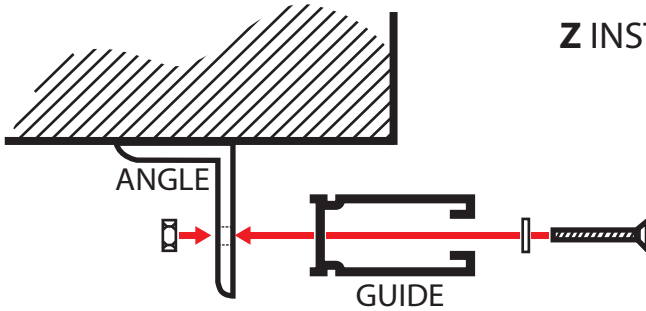
E INSTALLATION



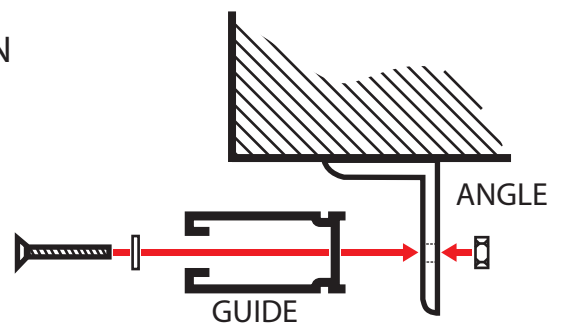
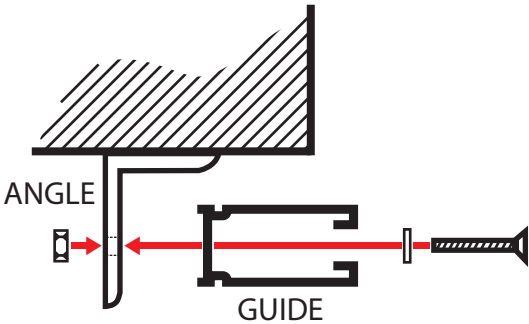
3

**GUIDE INSTALLATION**

Z INSTALLATION



E INSTALLATION



**PLEASE PROCEED TO PAGE 19 FOR CURTAIN INSTALLATION**

# MOUNTING OPTION BETWEEN JAMB

## RECOMMENDED FASTENERS

**TABLE 1** GUIDES

TYPE OF CONSTRUCTION TO WHICH FASTNER EMBED	TYPE OF FASTENER TO USE	HOLE SIZE (DRILL DIAMETER)	TAP SIZE (IF REQUIRED)	DEPTH OF HOLE
WOOD	#10 X 2" WOOD SCREW (PROVIDED)	Ø 1/8"	_____	1-½" MAX
CONCRETE	#10 X 1-½" WOOD SCREW WITH #10 PLASTIC SHIELD	Ø 1/4" CARBIDE	-----	1-½" MAX
STEEL	Ø ¼" BOLT	#7	¼"-20 UNC	-----
HOLLOW METAL	¼-20 SELF DRILLING AND TAPPING SCREW	Ø 13/64"	-----	-----

**TABLE 2** BRACKETS

TYPE OF CONSTRUCTION TO WHICH FASTNER EMBED	TYPE OF FASTENER TO USE	HOLE SIZE (DRILL DIAMETER)	TAP SIZE (IF REQUIRED)	DEPTH OF HOLE
WOOD	Ø ½" X 3" LAG BOLT	Ø 5/16"	-----	2- ½" MAX.
CONCRETE	Ø ½" X 2- ¾" WEDGE ANCH.	Ø ½" CARBIDE	-----	2- ¼" MIN.
	Ø ½" X 3" EXP. SHIELD W/ Ø ½" FHMS	Ø ¾" CARBIDE	-----	3" MIN.
STEEL	Ø ½" BOLT	Ø 27/64"	½"-13UNC	-----
MASONRY OR BRICK	Ø ½" X 2- ¼" SLEEVE ANCH. (Ø 3/8" BOLT)	Ø ½"	-----	2" MIN.

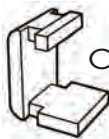
## PARTS LIST



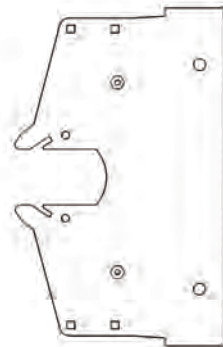
Door Guides (x2)



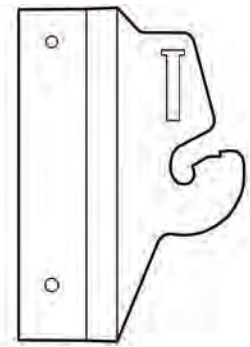
Guide Screw #10 (x20)



Charge Clip (x1)



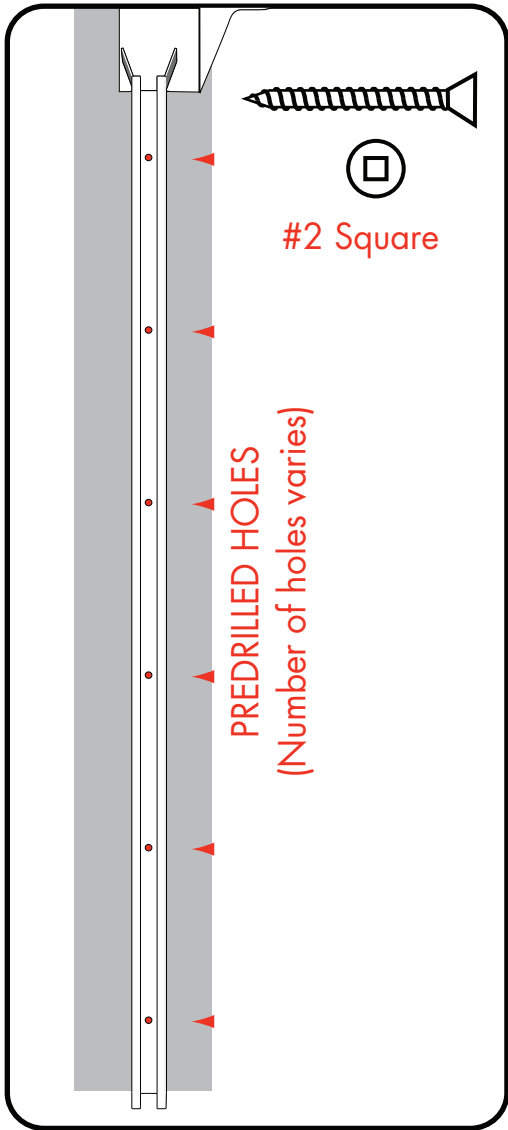
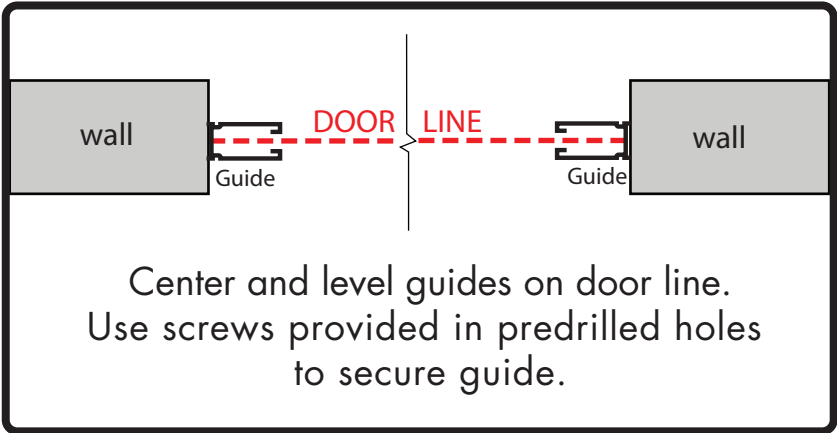
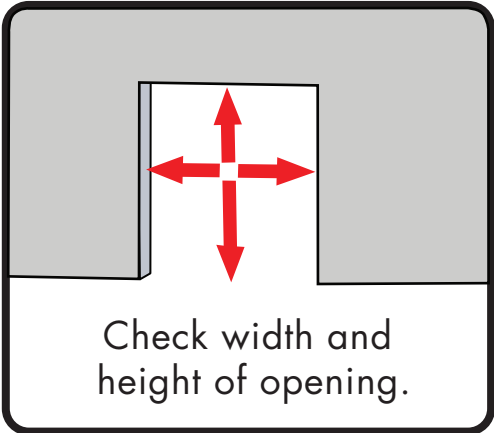
Idler Bracket (x1)



Charge Bracket (x1)

# 1

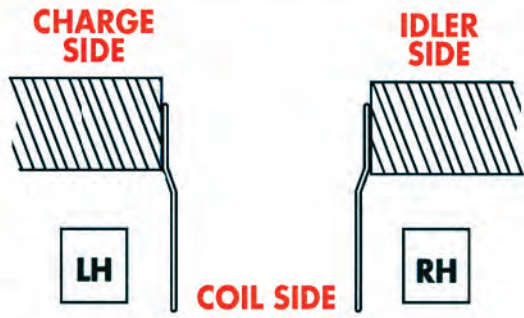
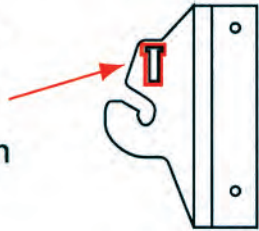
## GUIDE INSTALLATION



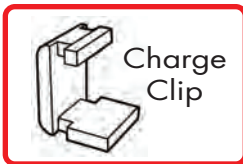
# 2

## BRACKET PLATE INSTALLATION

**NOTE:** Bracket for charge side has a "T" slot on the side.

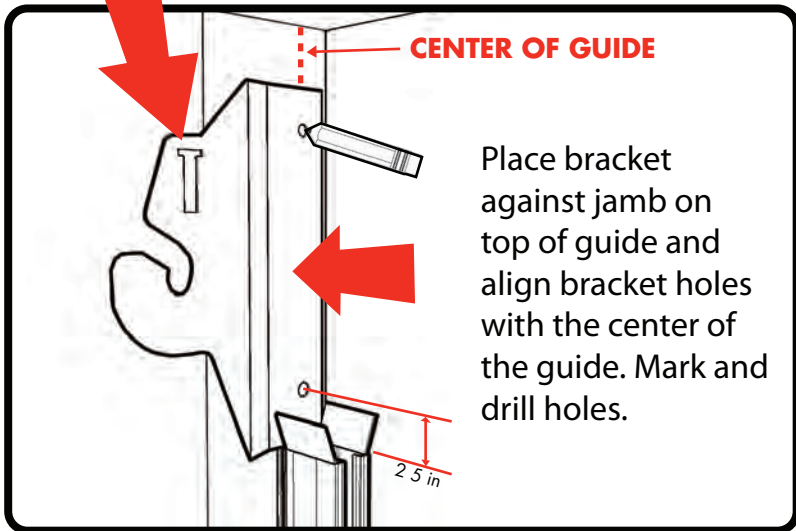


**NOTE:** It is important to level bracket plates for door to function properly.

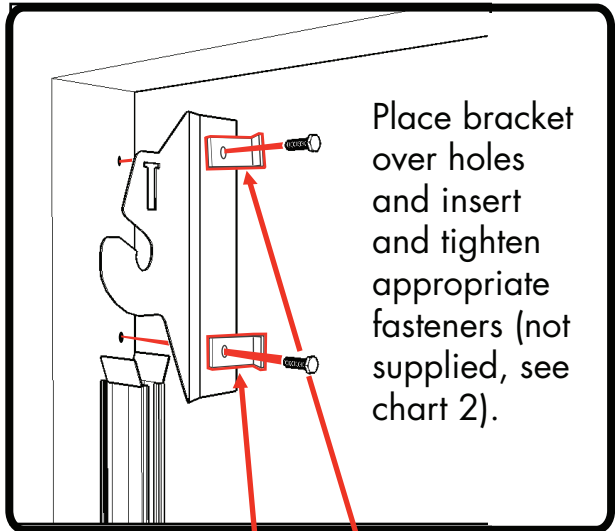


Install the Charge Clip now. (See page 21 for charge clip installation)

For ease of barrel installation, tape clip near top of "T" slot. Remove tape after barrel is installed.

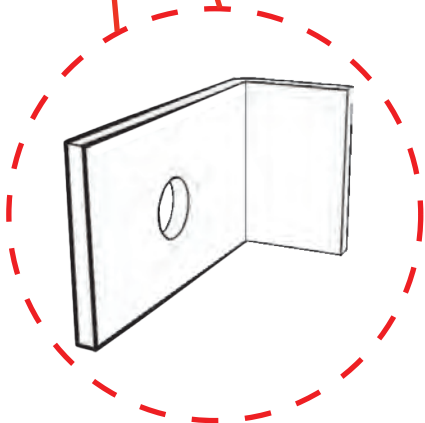


Place bracket against jamb on top of guide and align bracket holes with the center of the guide. Mark and drill holes.



Place bracket over holes and insert and tighten appropriate fasteners (not supplied, see chart 2).

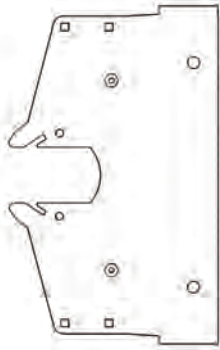
**NOTE:** If installing a fascia, install fascia mounting brackets at this point. To be installed on the inside of the bracket plates.



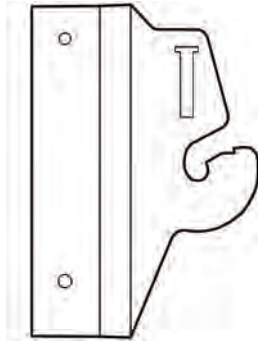
**PLEASE PROCEED TO PAGE 19 FOR CURTAIN INSTALLATION**

# MOUNTING OPTION BETWEEN TELESCOPIC TUBES

## PARTS LIST



Idler Bracket  
(x1)

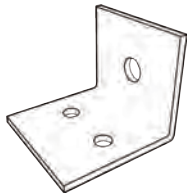
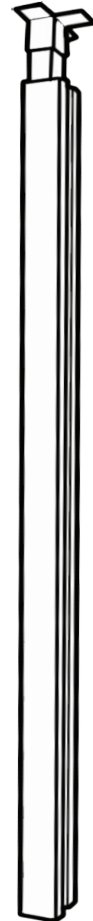


Charge Bracket  
(x1)

Door guides  
(x2)



Telescopic Tubes  
(x2)



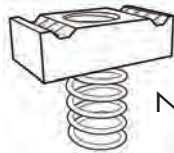
Floor base angle  
(x2)



Concrete anchor bolt  
(x4)



Guide Screw #10  
(x 20)

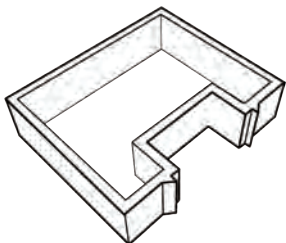


Nut spring  
(x2)

Adapter bit  
(x1)



Washer  
(x6)



Tube template  
(x2)



Bracket Bolt  
1/2-13x1-1/2  
(x6)

# 1

## TELESCOPIC TUBE FLOOR BASE ANGLES

**NOTE:** Floor base angles must be square to one another.



Measure location of front-of-tube to front-of-tube and compare drawing.

Mark location of installation holes on floor base angle with template provided. Make sure marks are square

Drill 1/8" pilot hole. Finish with 3/8" bit. Install floor base angles with 3/8" anchor bolts (x2 each).

# 2

## TELESCOPIC TUBE INSTALLATION

Place aluminum tubes floor base angles.

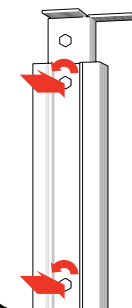
Secure tube to angle using 1/2" bolt.

**NOTE:** Install one telescopic tube at a time. Tube must be secure at bottom and top before installing the second tube.

Inside channel may need to be loosened and pulled up if it impedes the installation of the telescopic tube to the floor base angle.  
(See **Step 3**)

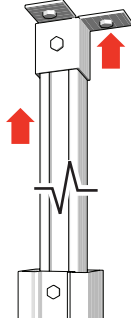
# 3

## SECURING TELESCOPIC TUBES

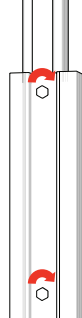


Loosen bolts. Press bolts in to release channel.

**WARNING:** Do not remove bolts.



Extended channel to structure above. Secure using method appropriate to structure materials.



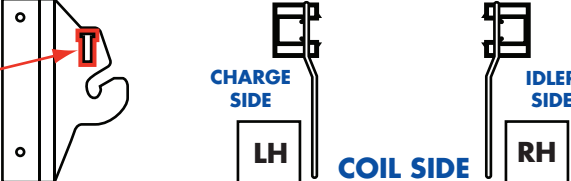
Tighten bolts to secure Telescopic Tubes

### RETURN TO STEP 2 FOR SECOND TUBE

# 4

## BRACKET PLATE INSTALLATION

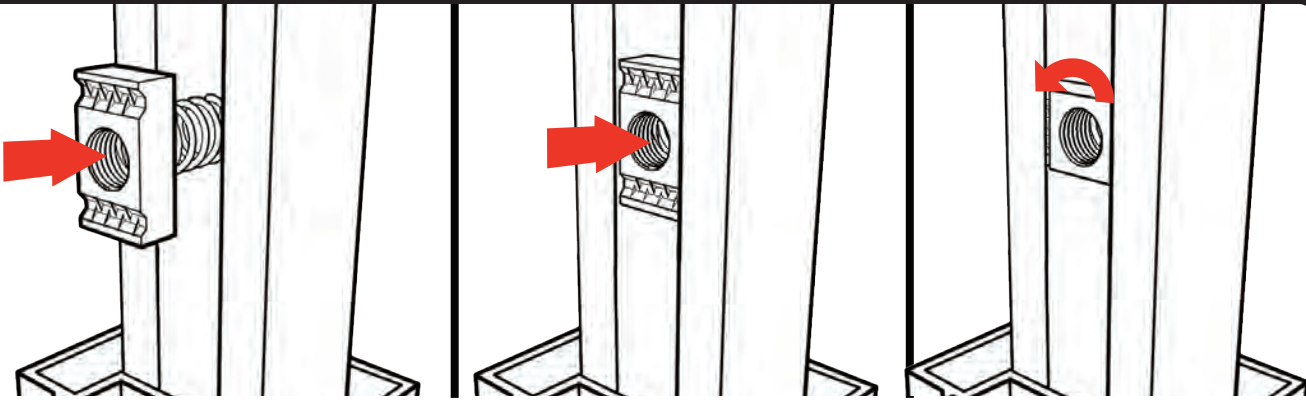
**NOTE:** Bracket for charge side has a "T" slot on the side.



CHARGE SIDE  
LH

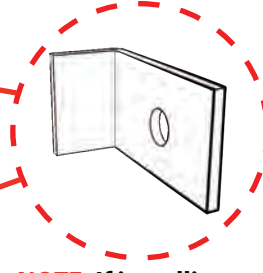
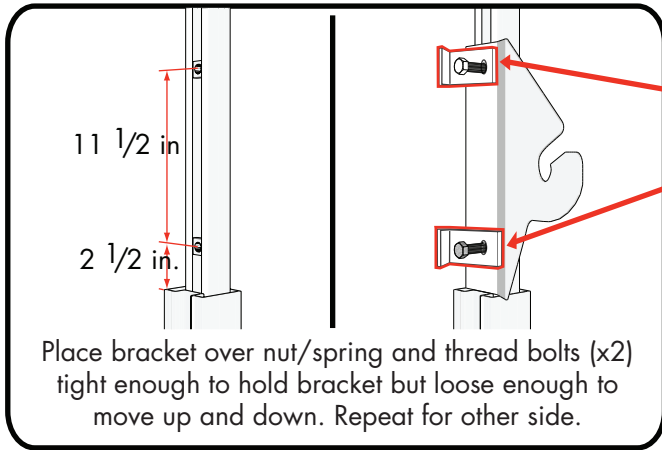
COIL SIDE

IDLER SIDE  
RH

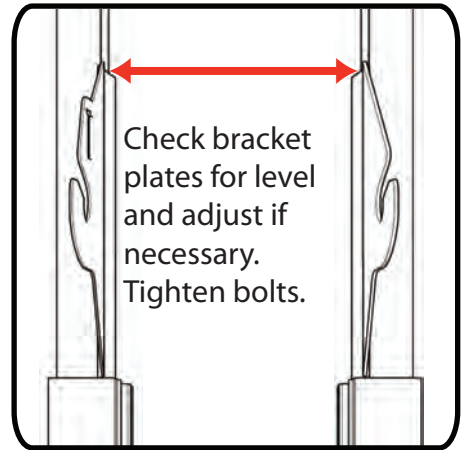


Insert nut/spring into channel (x2) above aluminum post. Push nut in and turn to hold in place.



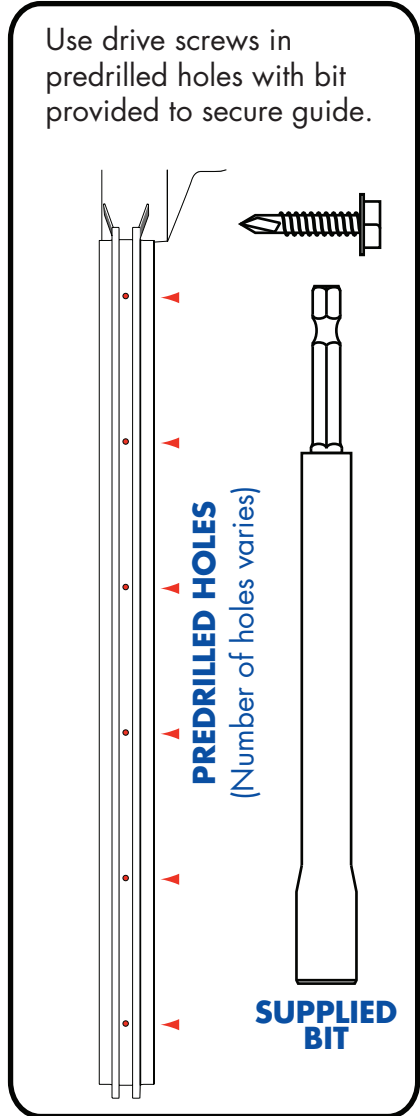
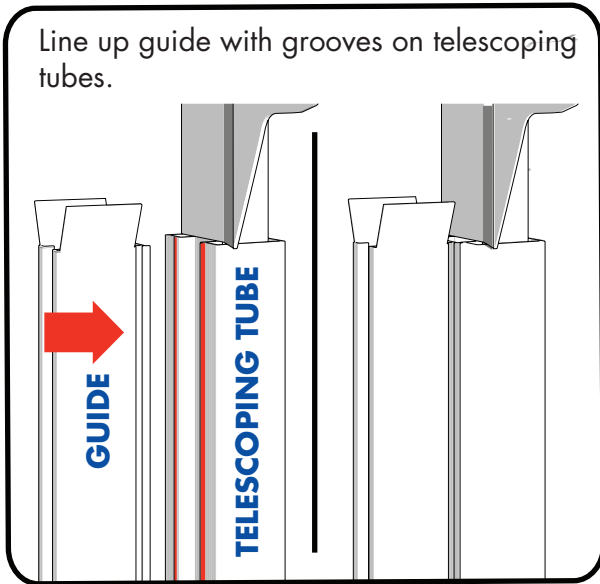


**NOTE:** If installing a fascia, install fascia mounting brackets at this point. To be installed on the inside of the bracket plates.



5

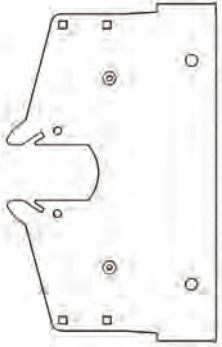
**GUIDE INSTALLATION**



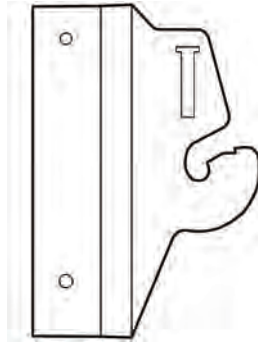
**PLEASE PROCEED TO PAGE 19 FOR CURTAIN INSTALLATION**

# MOUNTING OPTION BETWEEN STEEL TUBES

## PARTS LIST



Idler Bracket  
(x1)



Charge Bracket  
(x1)

Door guides  
(x2)



Steel Tubes  
(x2)



Bracket Bolt  
1/2-13x4"  
(x4)



Washer  
(x6)



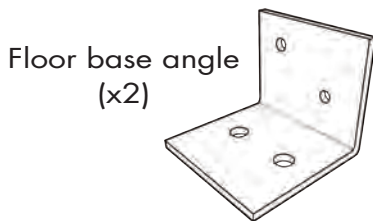
Adapter bit  
(x1)



Guide Screws #10  
(x20)



Concrete anchor bolt  
(x4)



Floor base angle  
(x2)



Nut  
1/2 x 13  
(x4)

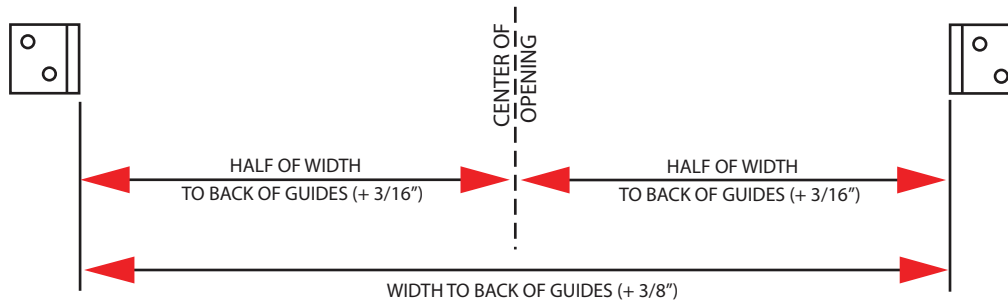


Base Mounting  
Screws 1/4 x 20 x 1"  
(x4)

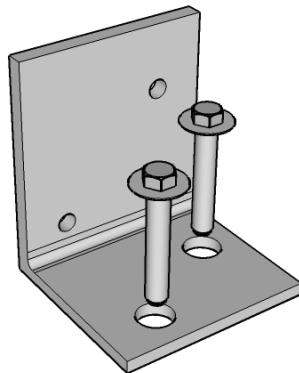
# 1

## BASE ANGLE INSTALLATION

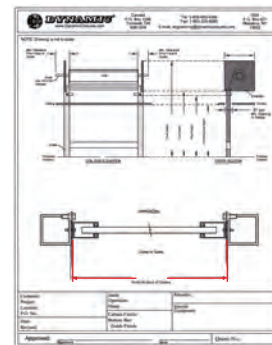
Locate center of the opening, then mark off the distance\* from the center line to locate the base angle placement (\*Distance will be half the width to back of guides + 3/16").



Using a concrete drill bit, drill 1/8 in. pilot hole. Finish with 3/8 in. bit. Install floor base angles (shim to level if necessary) with 3/8 in. anchor bolts (x2 each).

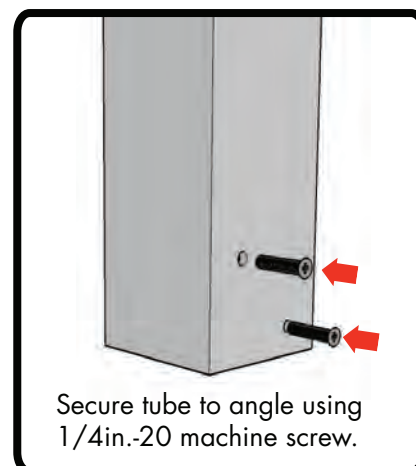
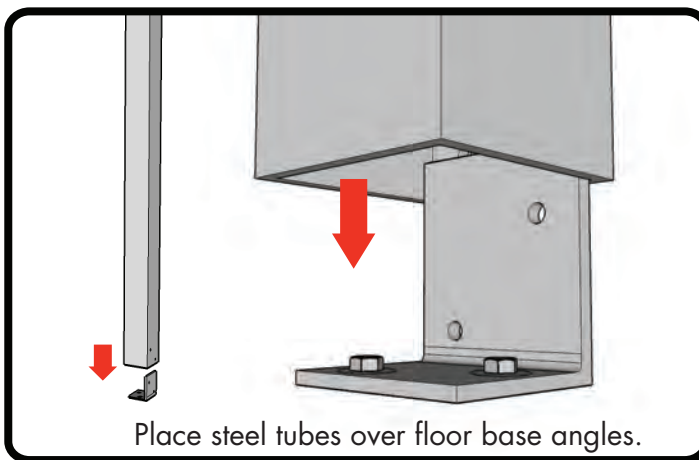


**NOTE:** Floor base angles must be square to one another.



# 2

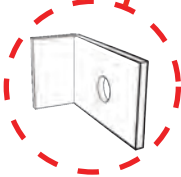
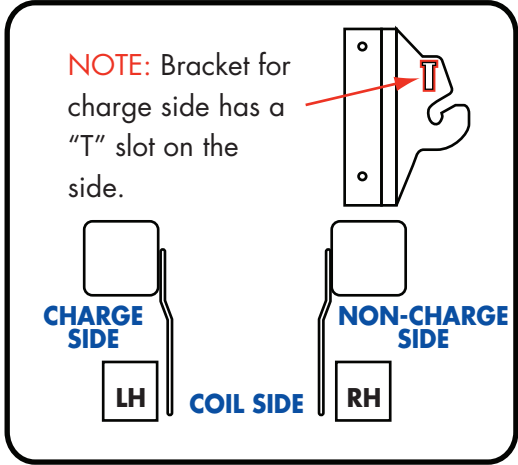
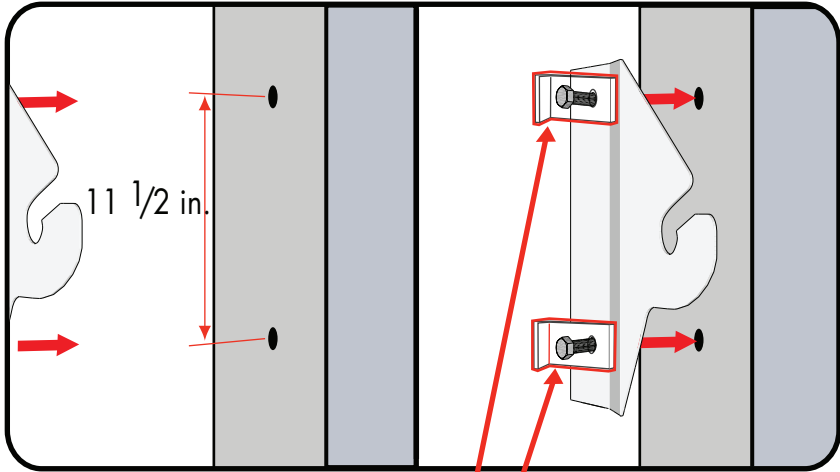
## STEEL TUBE INSTALLATION



# 3

## BRACKET PLATE INSTALLATION

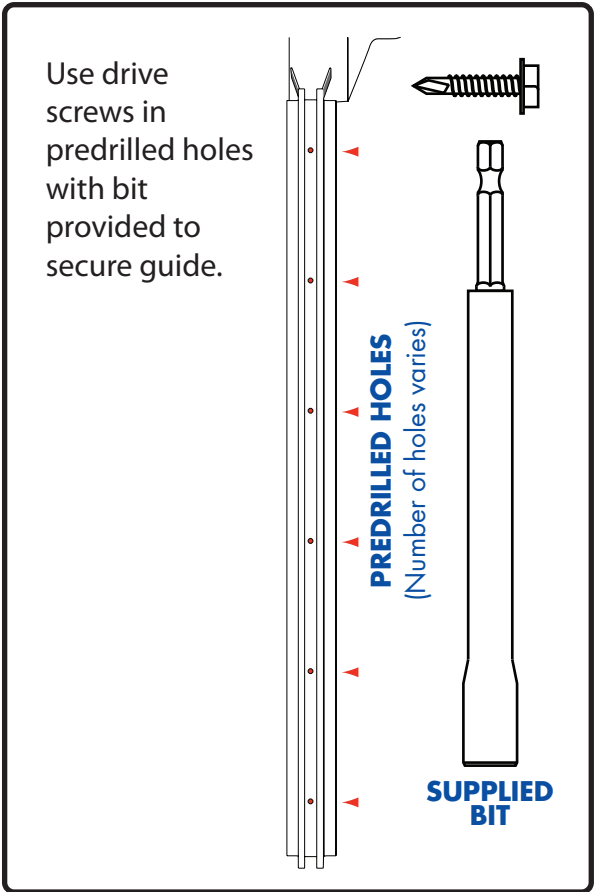
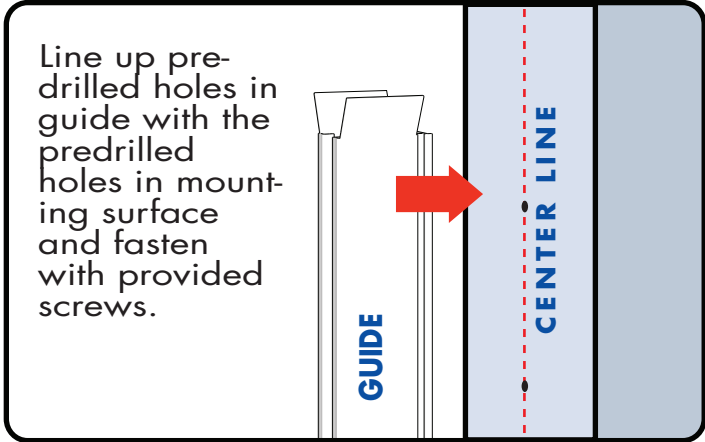
Place bracket over predrilled holes and insert and tighten 4in. bolt (supplied). Repeat for other side.



**NOTE:** If installing a fascia, install fascia mounting brackets at this point. To be installed on the inside of the bracket plates.

# 4

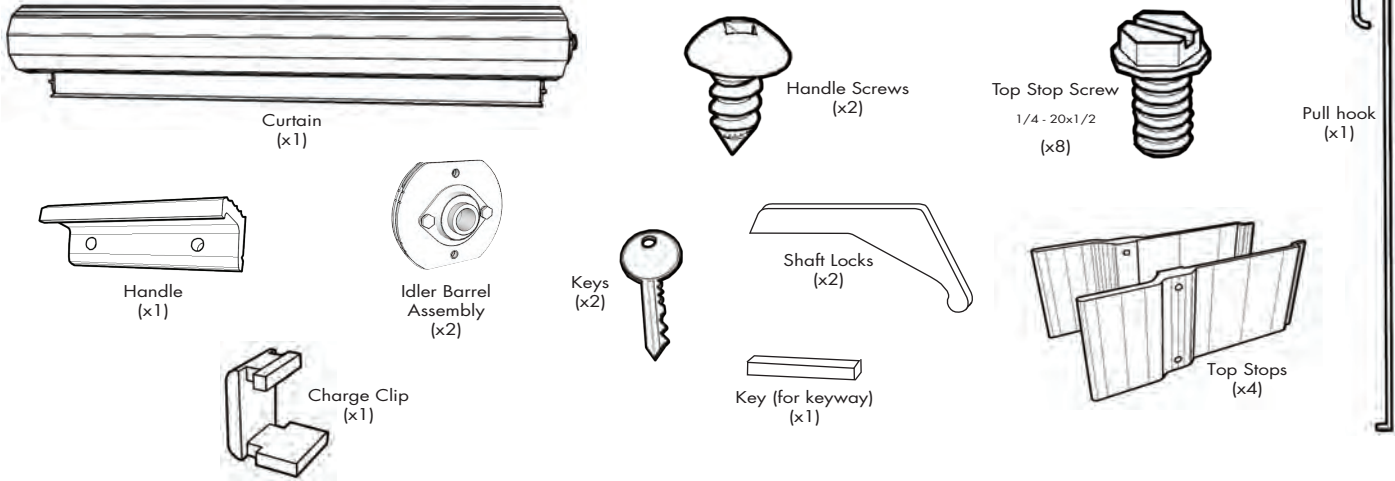
## GUIDE INSTALLATION



**PLEASE PROCEED TO PAGE 19 FOR CURTAIN INSTALLATION**

# CURTAIN INSTALLATION

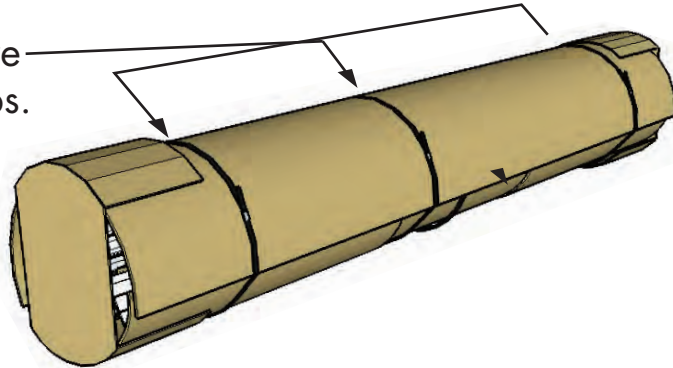
## PARTS LIST



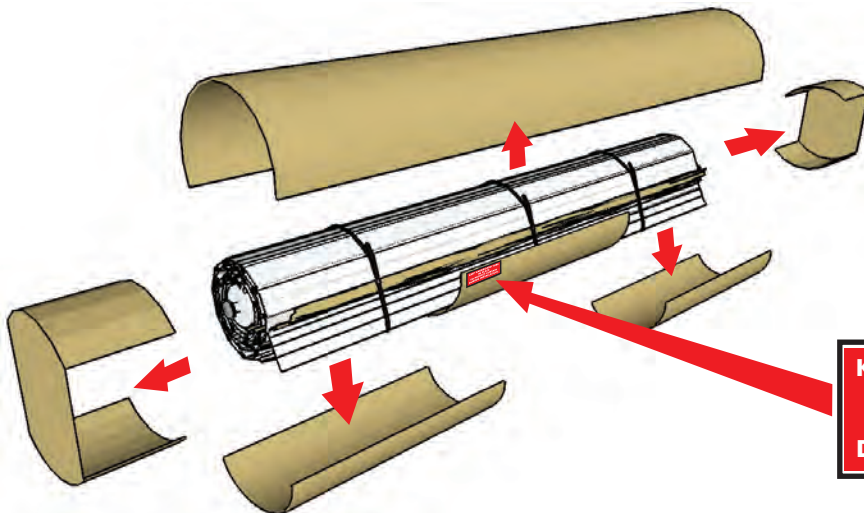
1

## PACKAGING REMOVAL

Safely remove exterior straps.



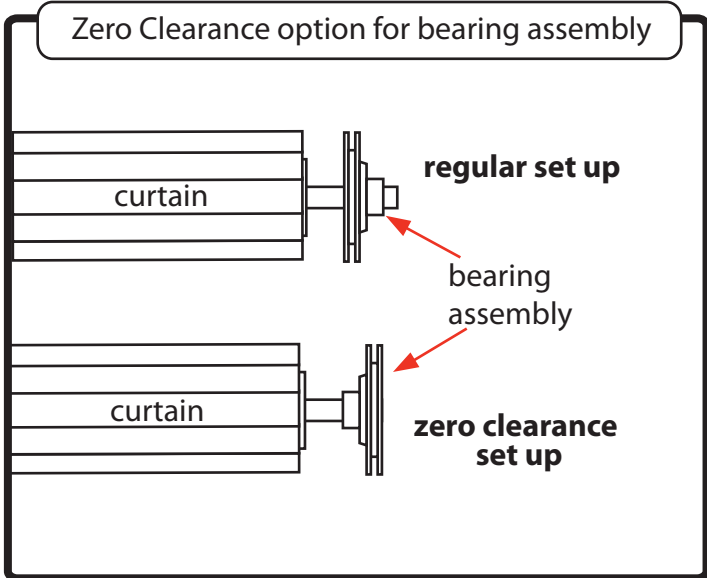
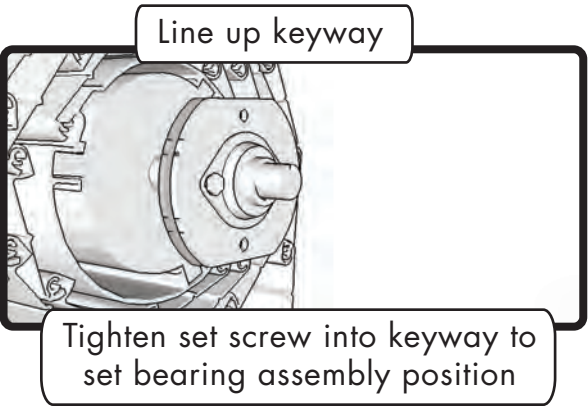
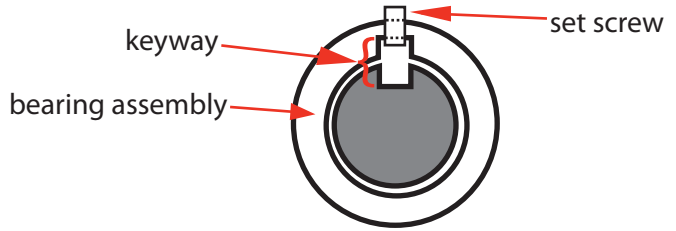
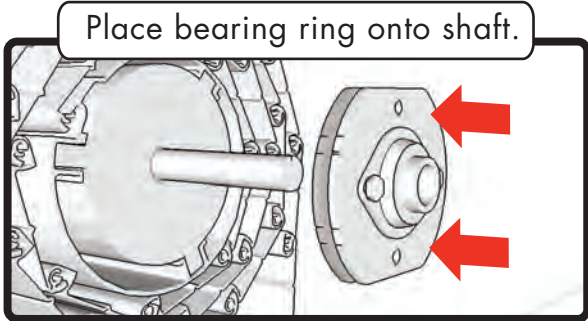
REMOVE ALL CARDBOARD PACKING TUBES, LEAVING THE BOTTOM CENTER TUBE IN PLACE.



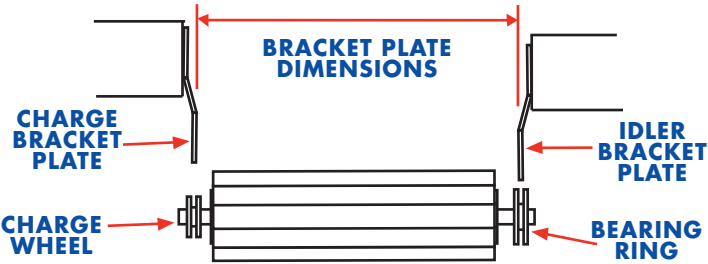
**KEEP CARDBOARD TUBE  
IN PLACE  
TO PROTECT CURTAIN  
DURING INSTALLATION.**

# 2

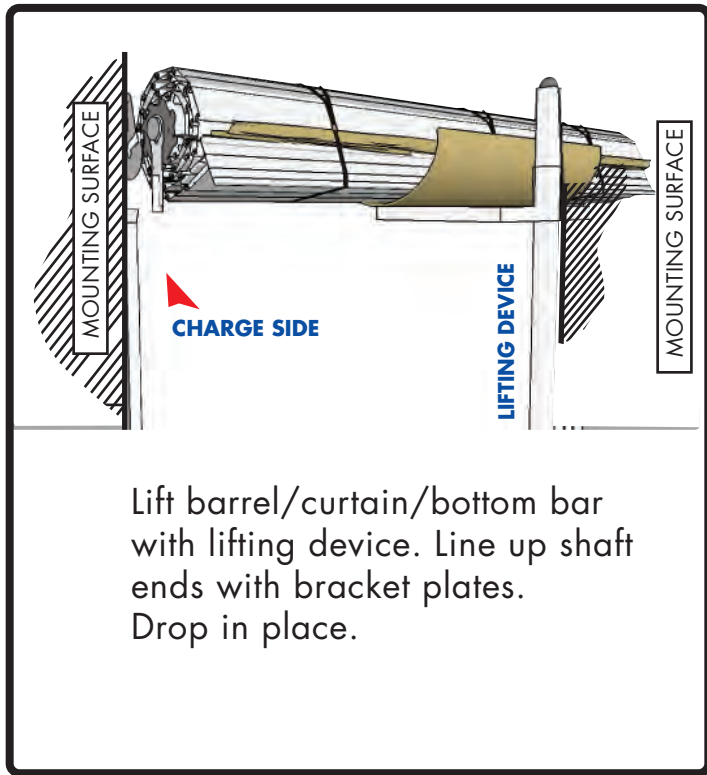
## BARREL ASSEMBLY INSTALLATION



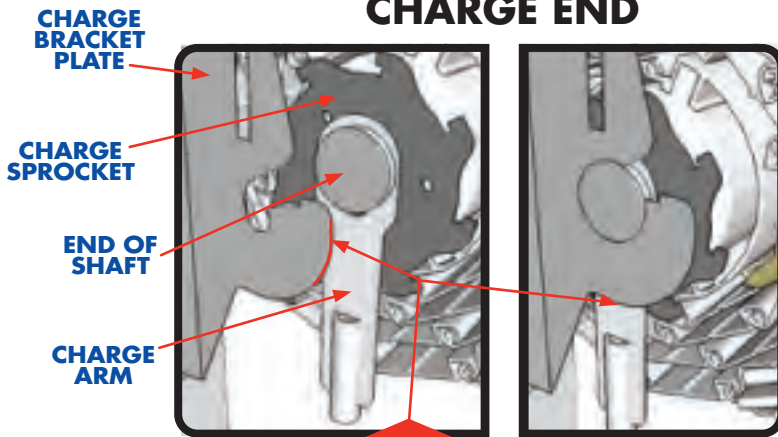
Check Bearing Ring location.



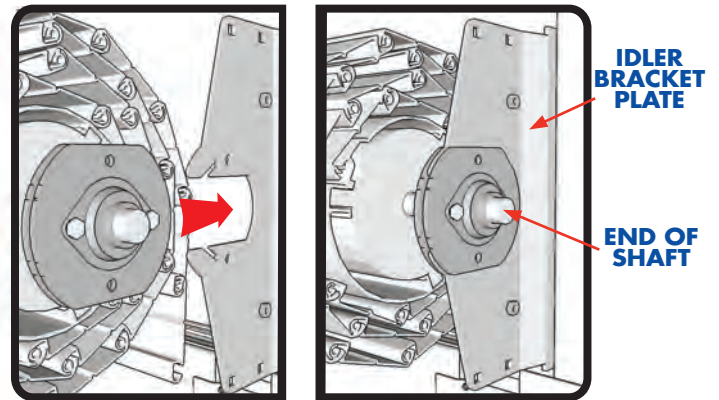
**NOTE:** Door must be balanced on lifting device to avoid tipping. The center of gravity will be closer to the charge side.



## CHARGE END



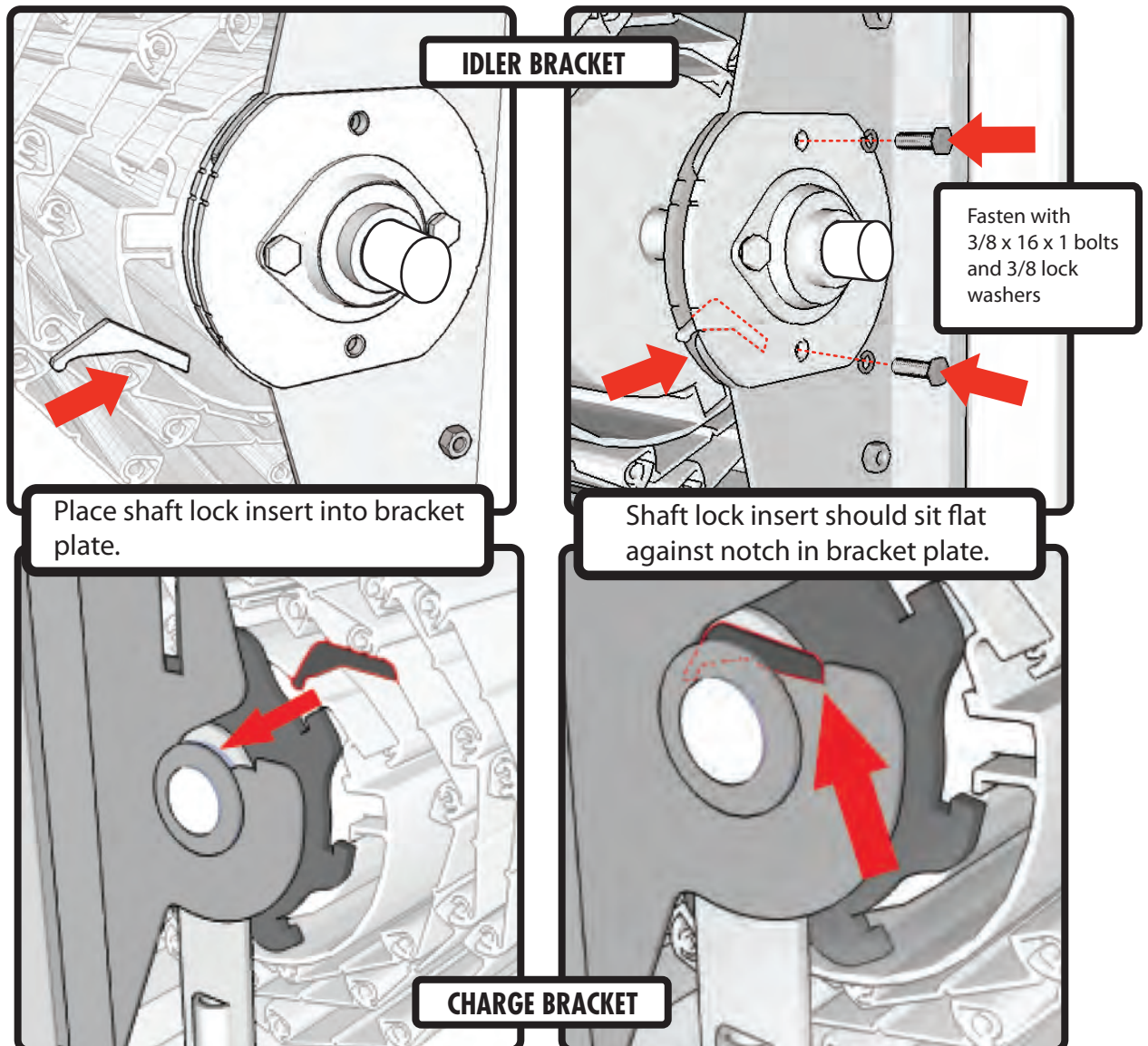
## IDLER END



**NOTE:** Charge arm must be on inside of bracket plate to engage charge sprocket.

3

## INSTALL SHAFT LOCK

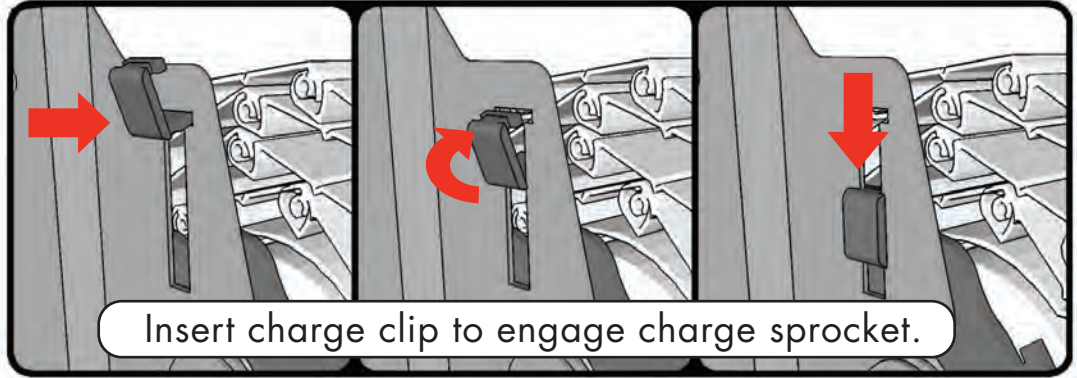


4

## CHARGE CLIP INSTALLATION



**NOTE:** Longer side of charge clip is bottom.

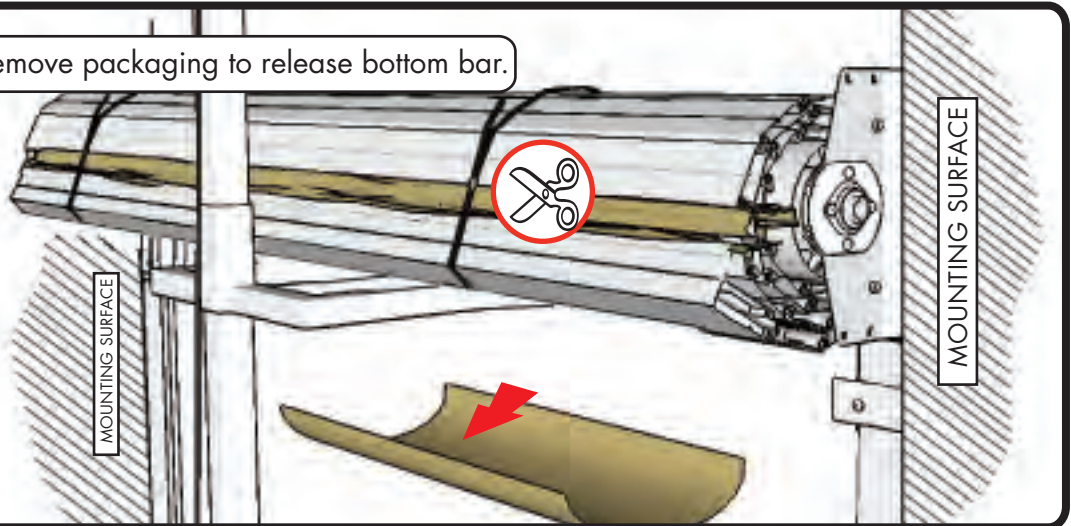


5

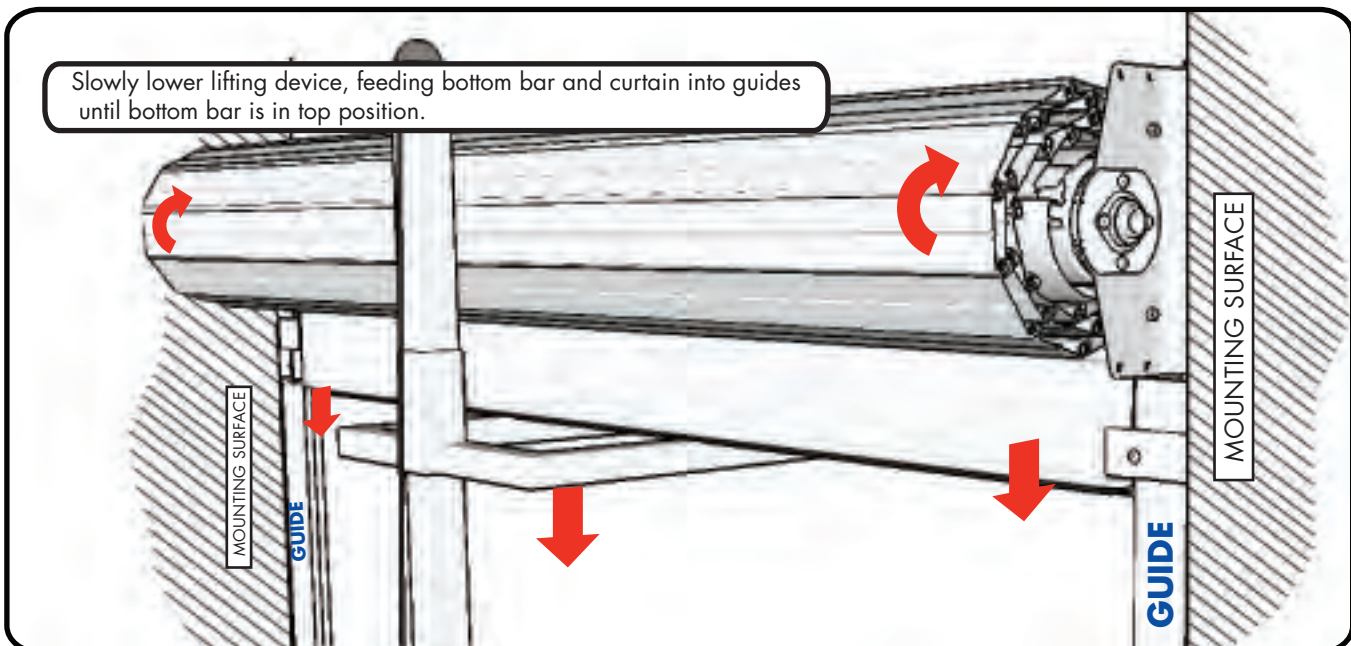
## LOWERING BOTTOM BAR

Cut straps and remove packaging to release bottom bar.

**CAUTION:**  
Curtain is now loose. Keep lifting device under bottom bar to hold up.



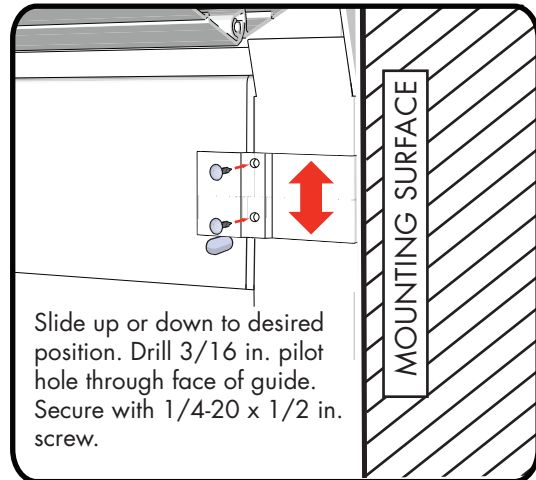
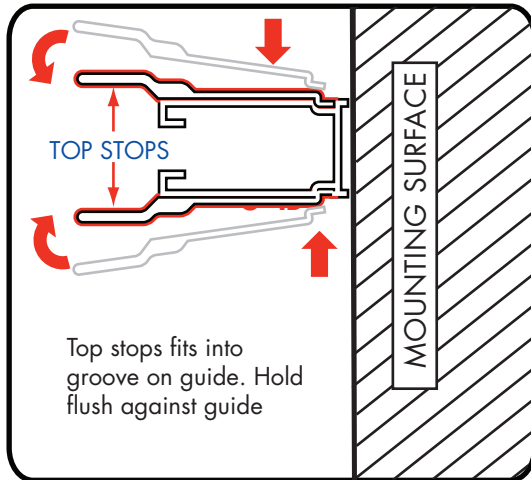
Slowly lower lifting device, feeding bottom bar and curtain into guides until bottom bar is in top position.





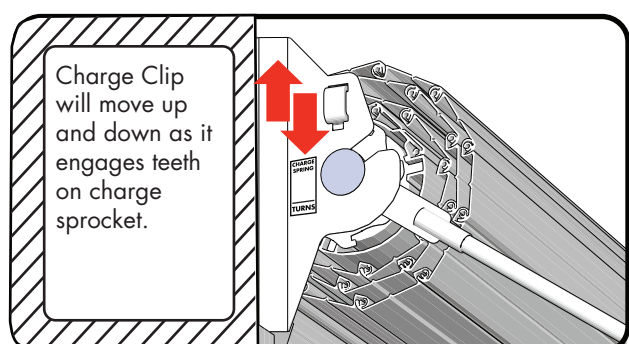
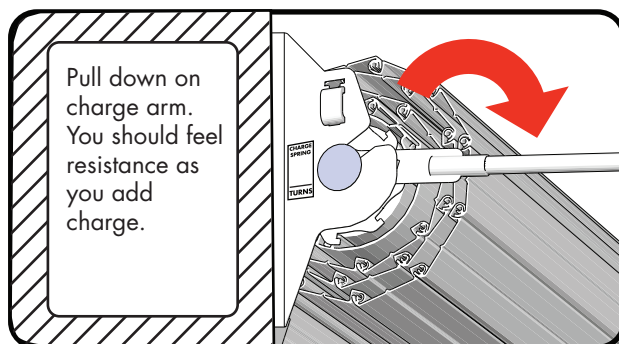
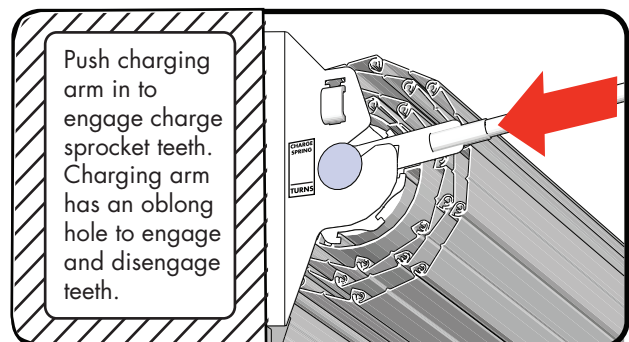
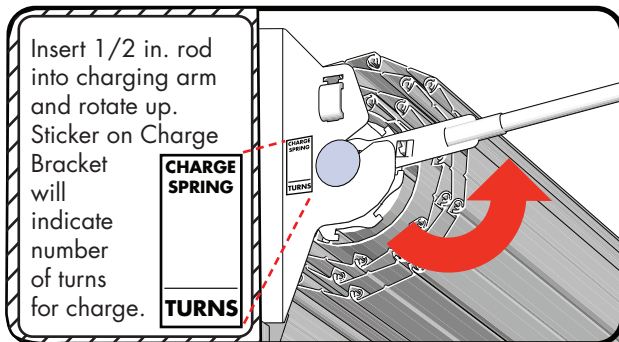
6

## TOP STOP INSTALLATION



7

## CHARGING STEPS



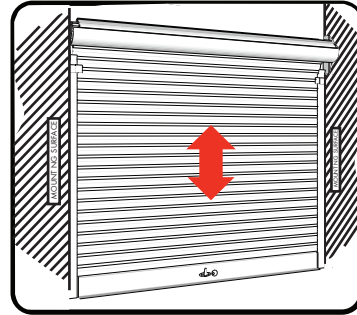
**TO REMOVE CHARGE:** Put pressure on charging arm to remove tension from charge clip. Hold charge clip up and allow charge wheel teeth to rotate counterclockwise. Drop charge clip back down to engage teeth.

**CAUTION:** When adding charge, make sure charge clip is fully in the down position to lock the charge sprocket.

**CAUTION:** A charged spring is under high tension. Always use caution around door components once charge is applied.

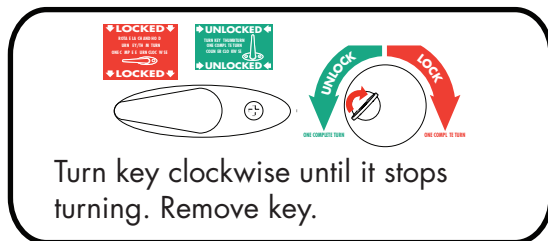
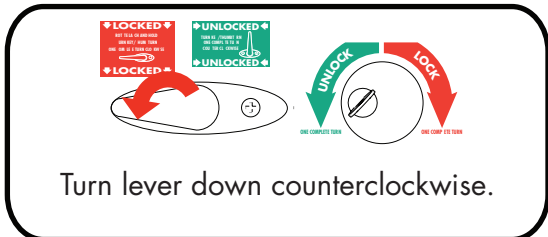
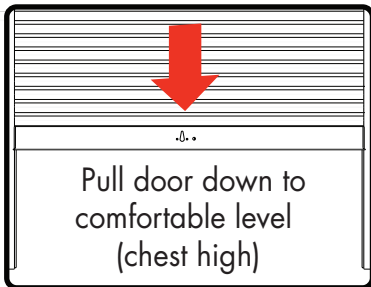
# CHARGE INSPECTION

Pull/push bottom bar down to floor to test door. Door should operate smoothly. Add or remove charge if necessary.

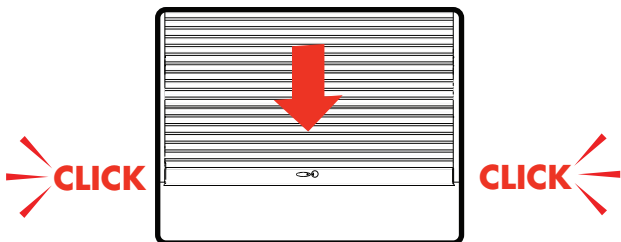


9

## LOCKING

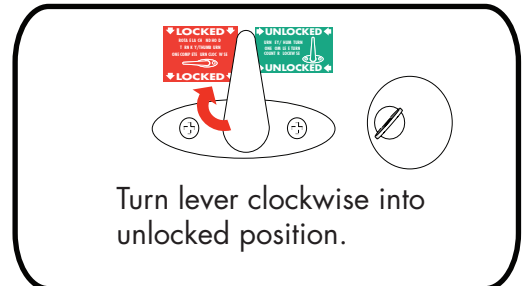
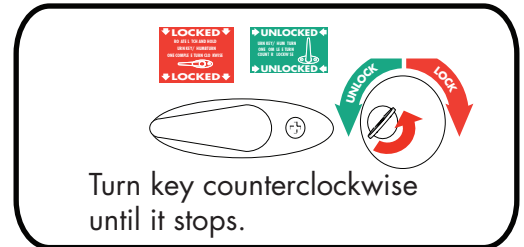
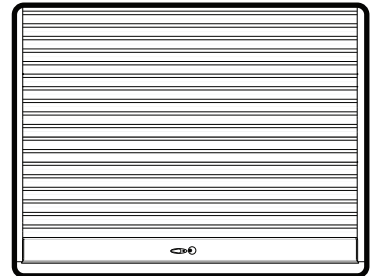


**CAUTION: LEVER IS SPRING LOADED AND MAY POP UP ON IT'S OWN.**

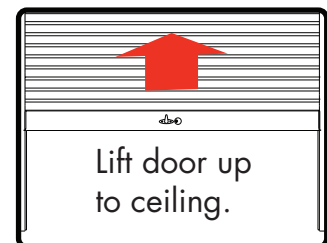


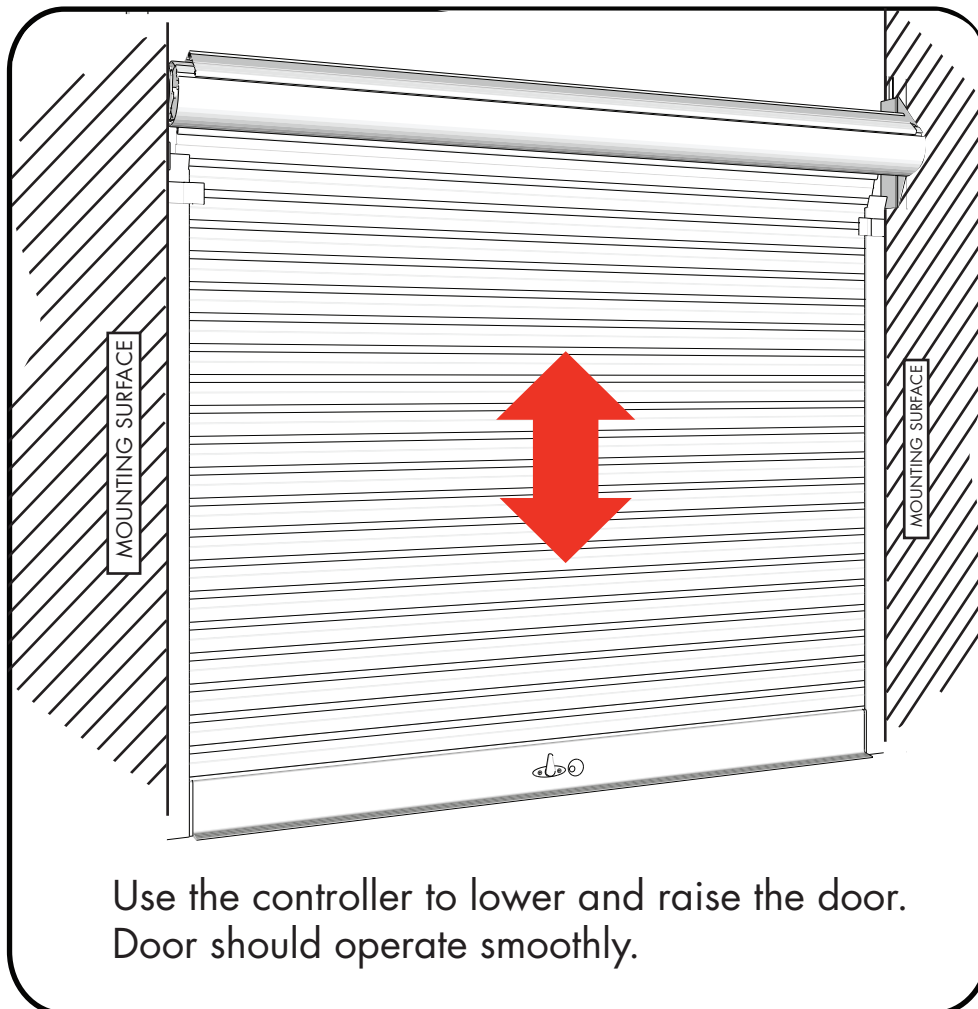
10

## UNLOCKING



**CAUTION: LEVER IS SPRING LOADED AND MAY POP UP ON IT'S OWN.**





# Warranty

Dynamic Closures Corporation

## One Year Limited Warranty

The Manufacturer warrants to the Buyer that all materials sold to the Buyer pursuant hereto are free from defects in material and workmanship under normal use and service for a period of **one (1) year from the possession date on new construction, or the installation date on remodels**. Abuse, misuse, and failure due to improper installation are not covered under the Manufacturer's warranty. The Manufacturer's obligation under this warranty is limited to repairing or replacing any parts, found to its satisfaction upon examination, to be defective.

The Manufacturer shall not be responsible for labor or other charges not expressly authorized in writing by the Manufacturer.

Said warranty shall not apply to any: parts, which have been altered or repaired by any person not expressly authorized in writing by the Manufacturer for such purpose, or by negligence, accident, or criminal act. The aforesaid warranty is made expressly in lieu of all other warranties, expressed or implied, and in lieu of any other obligations or liabilities on the part of the Manufacturer. Accordingly, the Manufacturer does not assume any other liability or obligation in connection with the sale of the grille, including any liability for special, consequential, or incidental damage to any person or property resulting from the use or possession thereof.

All other warranties express or implied, including any implied warranty of merchantability, are hereby expressly excluded.



PHONE: 1-800-663-4599 FAX: 1-800-205-6665