

GDO-8 ShedMaster[®]

Water Resistant Rolling Door Opener

Installation Manual

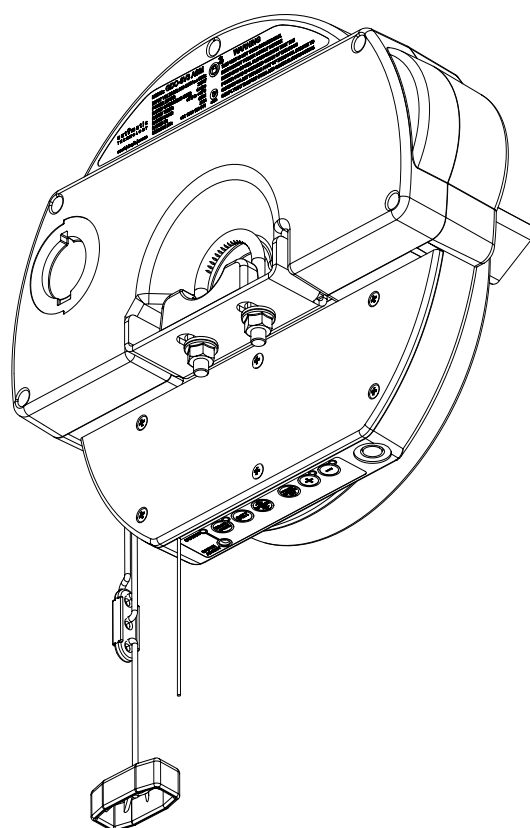


Table of Contents

Installation Instructions

1. Installation Safety Warnings!	3
2. Kit Contents	4
3. Tools Required	4
4. Setup Requirements	5
5. Door Preparation	6
6. Fit the Weight Bar	6
7. Pinning the Door	7
8. Proping the Door	7
9. Mounting the Opener	8
9.1 Raising the Door:	8
9.2 Mounting the Opener:	8
10. Setting the Datum	9
11. Setting the Travel Limits	10
11.1 Initial Preparation:	10
11.2 Set the Limit Positions:	10
11.3 Resetting the Door Limit Positions	10
11.4 Reset all Factory Defaults	10
12. Safety Testing	11
12.1 Test the Close Cycle	11
12.2 Testing the Open Cycle	11
12.3 Test the Manual Door Operation	11
13. Safety Obstruction Force	11
13.1 Adjusting Safety Obstruction Force	11
13.2 To Increase Force Pressure	11
13.3 To Decrease Force Pressure	11
13.4 To Recall Factory Set Force	11
13.5 To Recalculate Force Margins	11

14. Coding a Transmitter	12
14.1 Storing the Transmitter Code	12
14.2 Coding a Button to Enable Vacation Mode	12
14.3 Coding a Transmitter to the Courtesy Light	12
14.4 Remotely Coding Transmitters	13
14.5 Erasing a Stored Transmitter Code	13
14.6 Erasing All Transmitter Codes	13
14.7 Locking the control panel	13

Home Owner Instructions

15. Home Owner Safety Warnings!	14
16. Opener Safety & Security	15
16.1 Your Door CAN NOT be used when:	15
16.2 Your Door CAN be used when:	15
16.3 To Disengage the Opener:	15
16.4 To Re-Engage the Opener:	15
17. Operating your Opener	15
18. User Operating Controls	16
19. Door Status Indicators	16
20. Specifications	17
21. Troubleshooting	18
22. After Installation Care	20
22.1 Service Checklist	20
22.2 Battery Replacement	21
22.3 Battery Disposal	21
22.4 Warranty	21



1. Installation Safety Warnings!

This automatic garage door opener is designed and tested to offer safe service provided it is installed and operated in strict accordance with the following safety warnings. Failure to comply with the following instructions may result in death, serious personal injury or property damage.



WARNING!

- The door may operate unexpectedly, therefore do not allow anything to stay in the path of the door.
- When operating the manual release while the door is open, the door may fall rapidly due to weak or broken springs, or due to being improperly balanced.
- The drive must not be used with a door incorporating a wicket door, unless the drive cannot be operated with the wicket door open.
- The drive is intended to be installed at least 2.5m above the floor.
- Do not disengage the opener to manual operation with children/persons or any objects including motor vehicles within the doorway.
- If the door is closing and is unable to re-open when obstructed, discontinue use. Do not use a door with faulty obstruction sensing
- When using auto close mode, a Photo Electric beam must be fitted correctly and tested for operation at regular intervals. Extreme caution is recommended when using auto close mode. All safety rules must be followed.



ELECTROCUTION!

- Place opener in protected area so that it does not get wet.
- Do not spray with water .
- Disconnect the power cord from mains power before making any repairs or removing covers. Only experienced service personnel should remove covers from the opener.
- If the power supply cord is damaged, it must be replaced by an Automatic Technology service agent or suitably qualified person.
- Connect the opener to a properly earthed general purpose 240V mains power outlet installed by a qualified electrical contractor.



CAUTION:

Emergency Access

- If garage has no pedestrian entrance door, an emergency access device should be installed. This accessory allows manual operation of the garage door from outside in case of power failure.

Muscular strain

- Practice correct lifting techniques (carton weighs approx 9kgs)
- Practice correct lifting techniques when required to lift the door as per installation instructions.

Fall from ladder

- Ensure ladder is the correct type for job.
- Ensure ladder is on flat firm ground that will take the weight without the legs sinking.
- Ensure user has 3 points of contact while on ladder.

Crush injury from unsecured door

- Place a 2 metre exclusion zone around area under the door while it is unsecured.
- Do not move under a door while it is on the door support (or ladder)
- Follow the installation instructions
- Fit door support (or ladder) snugly under door before removing bracket.

Garage Door

- Ensure door support (or ladder) is on flat ground
- Examine the door installation, in particular, springs and mountings for signs of wear, damage and imbalance.

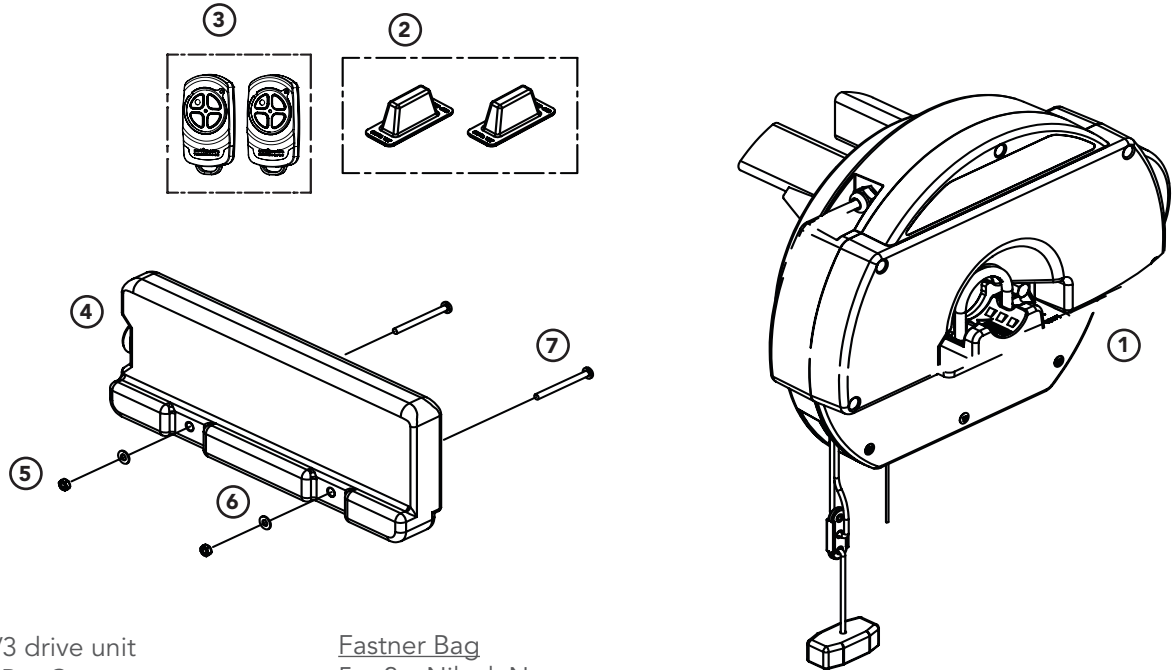
Entanglement

- The garage door must be well balanced. Sticking or binding doors must be repaired by a qualified garage door installer prior to installation of the opener.
- Remove or disengage all garage door locks and mechanisms prior to installation of the opener.
- Never plug in and operate opener prior to installation.
- Keep hands and loose clothing clear of door and guides at all times.

Entrapment under operating door

- DO NOT operate the opener unless the garage door is in full view and free from objects such as cars and children/people. Make sure that the door has finished moving before entering or leaving the garage
- In order for the opener to sense an object obstructing the door way, some force must be exerted on the object. As a result the object, door and/or person may suffer minor damage or injury.
- Ensure the garage door is in good working order by undertaking regular servicing.
- Install the optional wall transmitter in a location where the garage door is visible, but out of the reach of children at a height of at least 1.5m.
- Photo Electric beams must be installed if the closing force at the bottom edge of the door exceeds 400N (40kg)

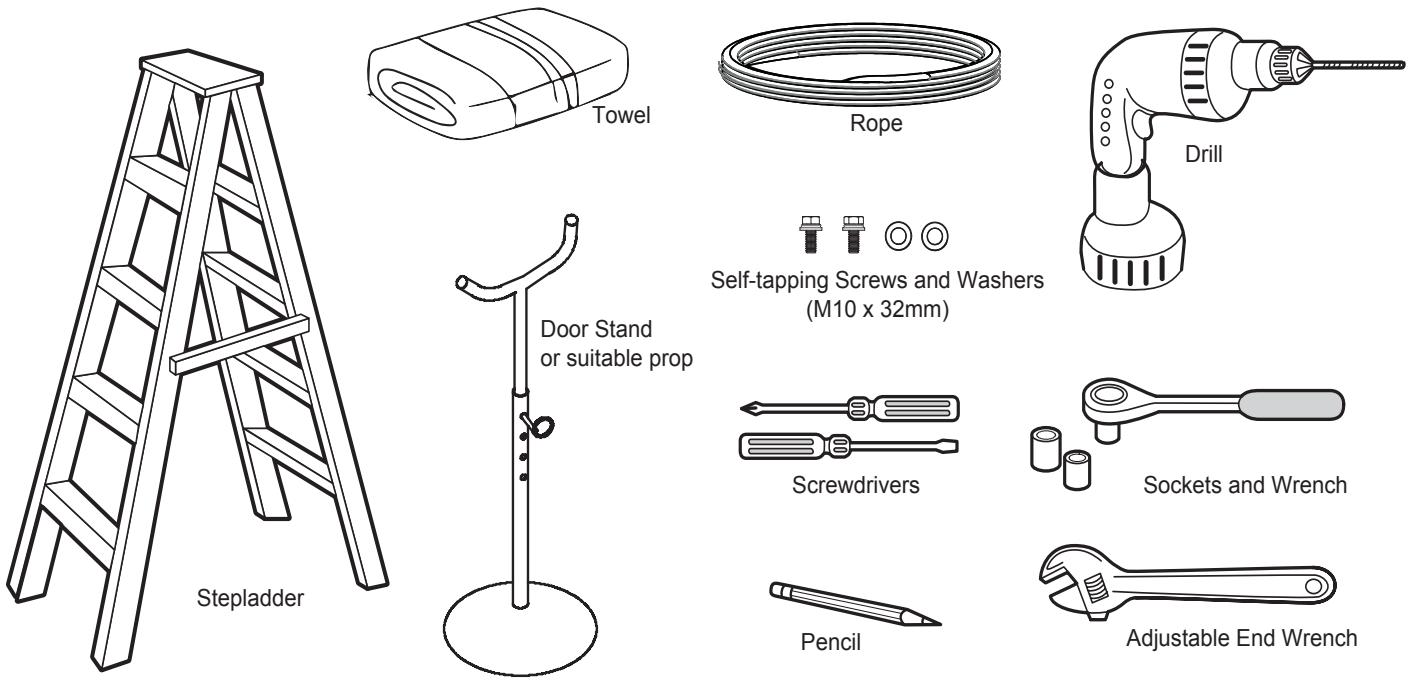
2. Kit Contents



- 1. 1 x GDO-8V3 drive unit
- 2. 2 x Locking Bar Covers
- 3. 2 x PTX-6 Transmitters
- 4. 1 x Weight Bar

- Fastner Bag
- 5. 2 x Nilock Nut
 - 6. 2 x 3/16 x 1/2 flat washers
 - 7. 2 x Pan Head Screw M4 x 50

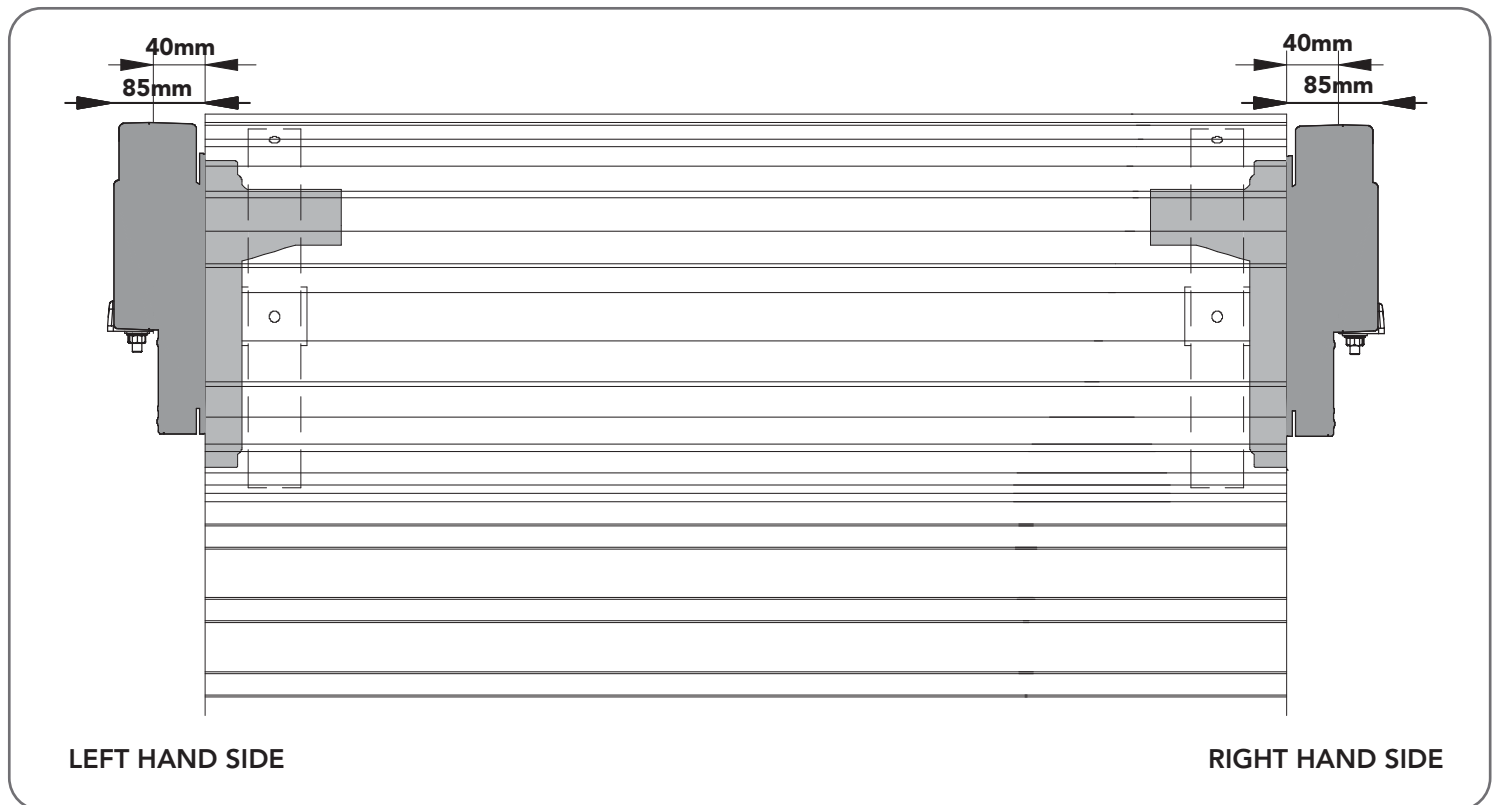
3. Tools Required



4. Setup Requirements

4.1 The Opener:

- MUST BE installed in a dry position, protected from weather. (Moisture or corrosion not covered by Warranty)
- Is factory set for RIGHT HAND SIDE installation (from inside garage), but capable of LEFT HAND SIDE installation.
- REQUIRES properly earthed 3 pin single phase power within an arms length of door and at a suitable height
- Requires a MINIMUM SIDEROOM of 40mm from the edge of the door to the inside of the door bracket and 85mm to the wall.
- CAN NOT be installed on a Door Axle Diameter that exceeds 35mm.



WARNING! A portable power generator is not recommended due to spikes, surges and fluctuations in the supply.

4.2 Unsuitable Door Types

The drive must not be used with a door incorporating a wicket door, unless the drive cannot be operated with the wicket door open. The fitting of an opener to doors with removable mullions is not recommended.

4.3 Sideroom

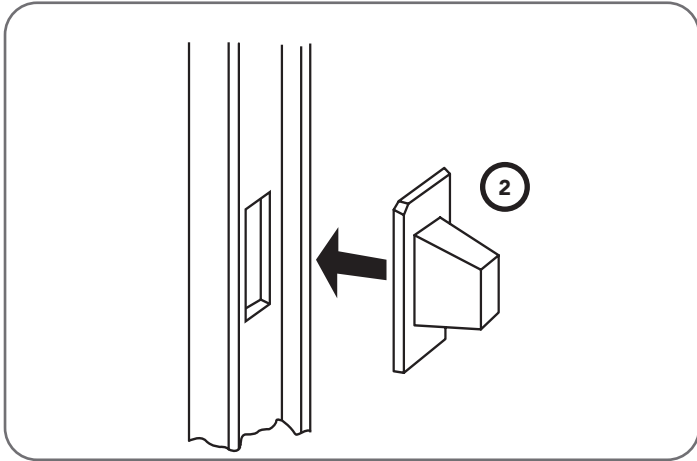
The minimum sideroom required from the edge of the door curtain is 40mm to the inside of the door bracket, and 85mm to the wall.



5. Door Preparation

5.1 Prepare the Door:

- Clean the guides if there is any oil or wax present using a suitable white spirit. The only lubricant suitable for use on door guides is silicon spray. DO NOT use WD-40, RP-7, petroleum grease, or similar.
- Remove the locking bars or disable the lock.
- Install the locking bar covers (2) if there are locking bar holes in the guides. This ensures fingers cannot be placed in the holes while the door operates
- Affix the supplied warning labels where they are clearly visible on the inside of the door.



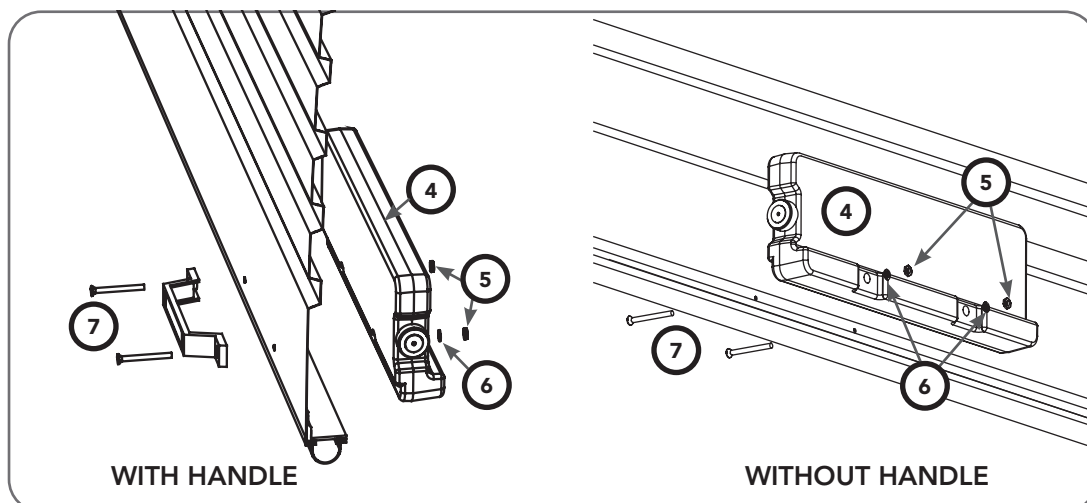
6. Fit the Weight Bar

6.1 If the door has a handle a weight bar must be fitted to ensure the door doesn't balloon during operation:

- Remove the door handle
- Fit the weight bar (4) and refit the handle using the two (2) M4x50mm Pan Head Screw (7) and the two (2) Flat Washer (6) and the two (2) M4 Nilock Hex nut (5).

6.2 If the door does not have a handle:

- Locate the centre of the door at the bottom rail.
- Place the weight bar at this point and mark the two positions where the fasteners will go
- Drill the two 4.5mm holes in the door and fit the weight bar (4) using the two (2) M4x50mm Pan Head Screw (7) and the two (2) Flat Washer (6) and the two (2) M4 Nilock Hex nut (5).
- Check that the door is still balanced and smooth. If not, then the door may require servicing.



WARNING! To reduce the risk of damage to persons or property, be sure to cut off any excess thread of the screw that protrudes the weight bottle and file any burrs.

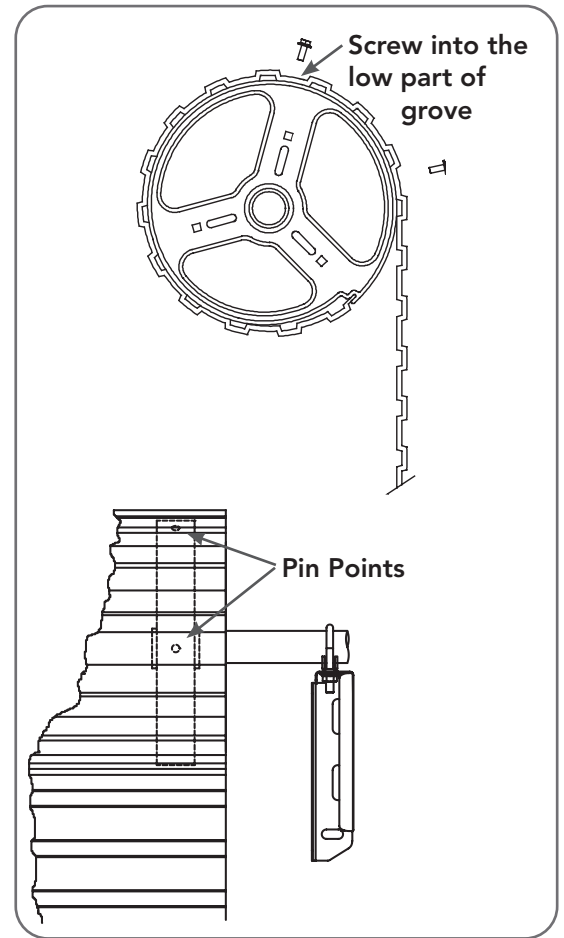
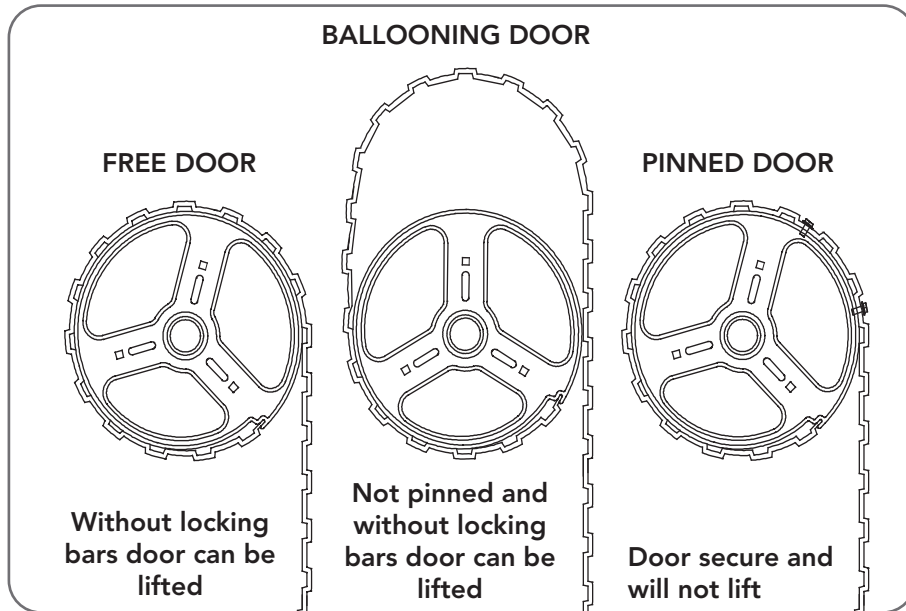


7. Pinning the Door

7.1 Pinning the Door to the drum:

Pinning the door's curtain to its drum maintains security when the opener is closed. If the curtain is not pinned the door can be partially opened manually.

- Fully close the door.
- Mark a minimum of two (2) drill holes on the drum to each end of the door.
- Drill holes using 3.2mm ($\frac{1}{8}$ ") drill bit.
- Fit M10 x 32mm screws and washers (not supplied) to each of the four (4) holes. This screw should be positioned as low as possible in the groove, but make sure that it does not alter the curtain's normal lead in to the guide.



8. Propping the Door

8.1 Prepare the Door:

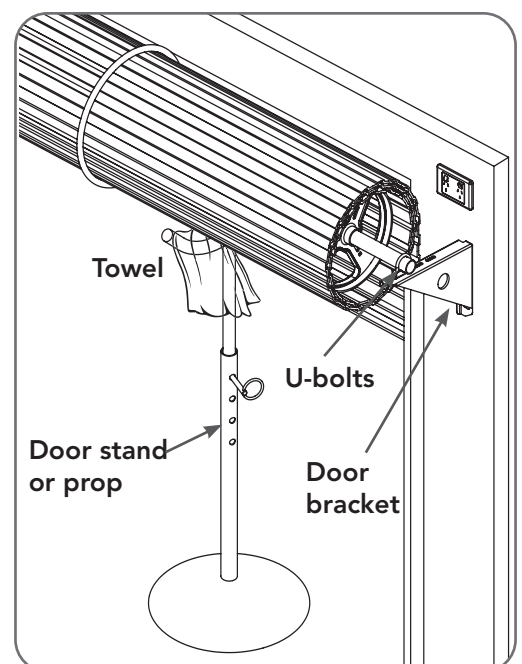
- At the end opposite to where the opener will be fitted, check that the U-bolt which holds the door axle to the bracket is tightened securely.

WARNING! The U-bolt must be done up tightly to ensure the stored energy in the springs cannot be unexpectedly released.

- Open the door completely and tie rope around the door roll. Do not tie the rope too tight as damage to the curtain may ensue. This will stop the door unrolling when taken off the bracket.
- At the end where the opener is to be fitted, support the door with a door stand or suitable prop. Place a towel between the door and the prop to protect the door from damage.

WARNING! Make sure the prop is snug under the door and is stable.

- At the end where the opener will be fitted use a pencil to mark the position of the U-bolt in the door bracket and the position of the door bracket on the wall to assist in reassembling.



9. Mounting the Opener

9.1 Raising the Door:

- When in position, remove the U-bolt (or bolts) and saddle from the door bracket.
- Lift the door up and away from the wall until clear of the door bracket, before lowering the door to rest on the door stand or prop.

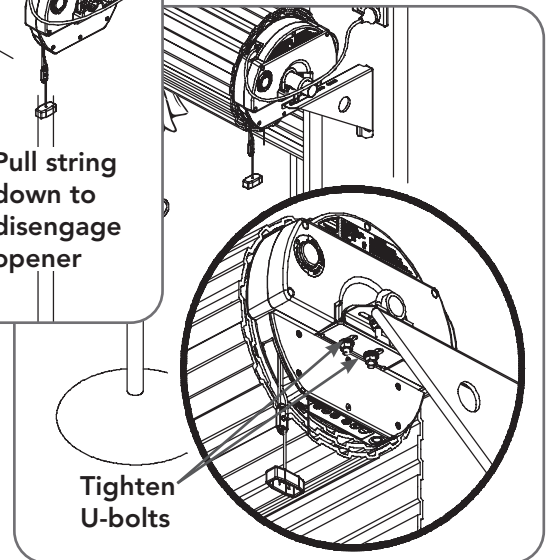
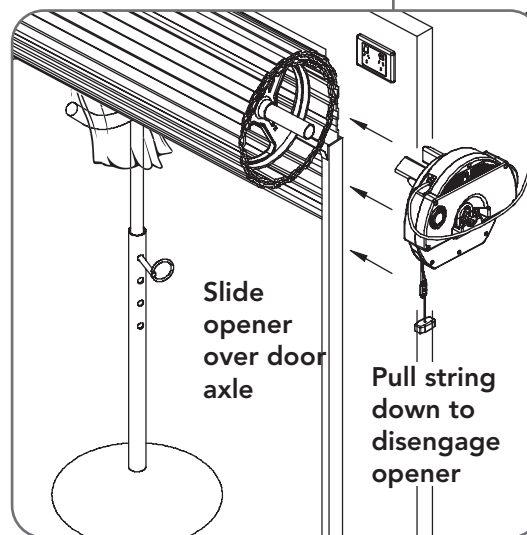
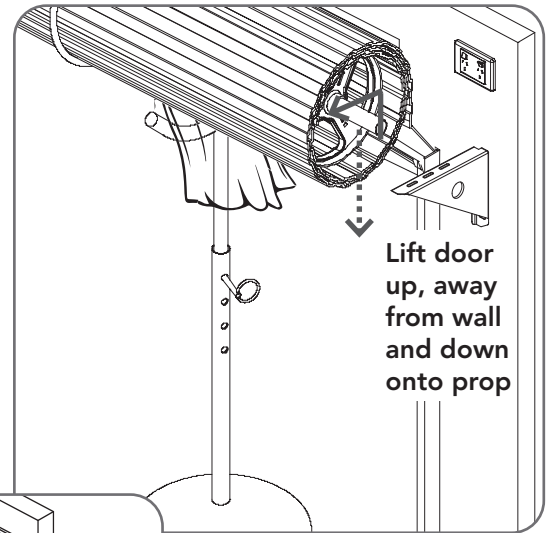
NOTE: If there is limited ceiling space to lift the door, the door bracket may have to be removed. If this is required, when refitting the door bracket, use the reference marks on the wall for correct position and ensure that it is secure to the wall and will support the door.



WARNING! For tight sideroom installations the door may have to be taken down.

9.2 Mounting the Opener:

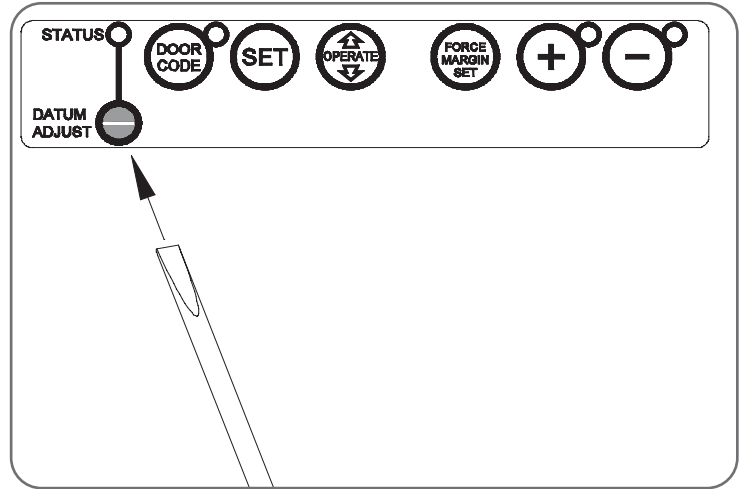
- Remove the opener from the box.
- Check the drive gear rotates freely, by pulling the string handle down (there will be a click) to disengage opener. Then move the forks from side to side by hand.
- Slide the opener over the door axle and into the drum of the door as shown.
- Push the opener in as far as possible (without interfering with the curtain) **SO ONE OF THE DOOR DRUM'S WHEEL SPOKES IS BETWEEN THE OPENER'S DRIVE FORKS.**
- Raise the door off the door stand or suitable prop.
- Lift up and over the door bracket and use your reference marks on the door bracket to position the door.
- Refit the U-bolt and nuts and tighten.
- Remove the safety rope and door stand or prop.
- Connect the power cord to a suitable powerpoint, but **DO NOT** switch on.
- Secure the power cord away from any moving object (e.g the door) with the cable clip supplied.
- With the opener still disengaged, pull the door up and down to make sure it runs freely.



10. Setting the Datum

10.1 Datum Preparation:

- Move the door by hand to approximately the mid open position.
- Re-engage the opener.
- Using a small blade screw driver turn the datum adjust screw slowly until the yellow status LED just illuminates.



WARNING! The safety obstruction detection system is inoperable if the MINUS (-) and PLUS (+) buttons are used to drive the door and travels limits are not set.

NOTE: .



11. Setting the Travel Limits

11.1 Initial Preparation:

- With the door at the half way position and the opener engaged, switch power on to the opener. The red MINUS (-) LIMIT LED will be flashing.
- Press and hold the MINUS (-) button - the door should start closing.

NOTE: If the door opens, release the MINUS (-) button and press the OPERATE button once to change the motor's direction.

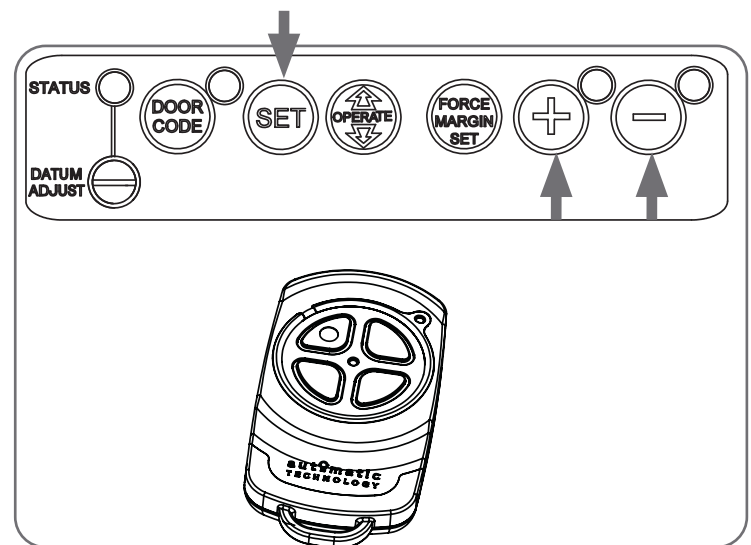
11.2 Set the Limit Positions:

The Limit Positions can vary due to site conditions, such as uneven ground. When setting the Close limits, ensure the position is when the door makes first contact with the ground. Alternatively for the Open limits the position should be at the height of the garage opening.

- Press and hold MINUS (-) button until the door reaches your desired close limit position. The rubber strip at the bottom of the door should form a good seal with the ground.
- Release the MINUS (-) button when the door is near the desired closed position. Single presses of the MINUS (-) button will inch the door closer to the ground.
- If the door overshoots press the PLUS (+) button to move the door in the open direction.
- When the door is at the desired close position, press the SET button, the PLUS (+) LIMIT LED will now flash.
- Press and hold the PLUS (+) button until the door reaches your desired open limit position. Single presses of the PLUS (+) button will inch the door open.
- If the door overshoots press the MINUS (-) button to move the door in the close direction.
- When the door is at the desired open position, press the SET button.



WARNING! In setting the close limit position, do not force the door into the floor with excessive force, as this can interfere with the ease of operation of the manual release mechanism.



WARNING! The door will automatically close, open and close again after the next step. Ensure that nothing is in the door's path.

- The door will now automatically close and open to calculate the safety obstruction settings.

11.3 Resetting the Door Limit Positions

Limit positions can be deleted by:

- Press and hold MINUS (-) button for six (6) seconds until the MINUS (-) LIMIT LED flashes quickly.
- Release the MINUS (-) button.

NOTE: If no action is taken within 30 seconds, the opener will return to normal operating mode and restore the original settings.

- Follow steps a - f in Set the Limits Positions to set new limit positions.

11.4 Reset all Factory Defaults

- Turn power to the opener off.
- Press and hold the SET Button.
- Turn power on while holding the SET button. Continue to hold until all LED's are off.
- This will NOT erase transmitter codes stored in memory.



12. Safety Testing

12.1 Test the Close Cycle

- Press the OPERATE button to open the door.
- If the door closes, press the OPERATE button to stop the door, then press OPERATE again to open.
- Place a piece of timber approximately 40mm high (or the openers cardboard box) on the floor directly under the door.
- Press the OPERATE button to close door.
- The door should strike the object and re-open.
- Remove the timber or cardboard box.

WARNING! If the door is closing and is unable to re-open when obstructed, discontinue use. Do not use a door with faulty obstruction sensing.

12.2 Testing the Open Cycle

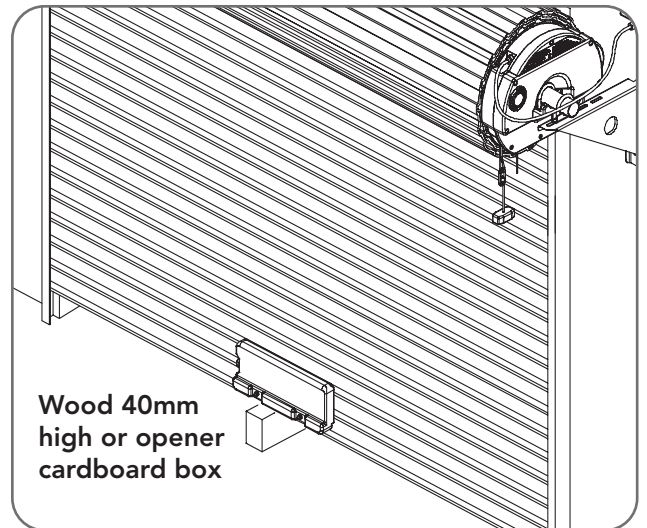
- Press the OPERATE button to close the door.
 - Press OPERATE again to open the door.
 - When the door reaches approximately half way, firmly grab the door's bottom rail - the door should stop.
- If the door does not reverse readily when closing, or stop when opening, put the door into manual by pulling down on the manual release string to disengage the motor and contact 1300 133 944 for support.

12.3 Test the Manual Door Operation

Periodically disengage the opener and manually operate the door. The door must be smooth to operate by hand. The force required on the bottom rail should not exceed 20kg.



CAUTION: Take care when completing a safety test. Failure to follow this warning can result in serious personal injury and/or property damage.



Wood 40mm high or opener cardboard box



WARNING! If the door fails these tests, put the opener into manual mode, only operate the door by hand and call for service.

13. Safety Obstruction Force

13.1 Adjusting Safety Obstruction Force

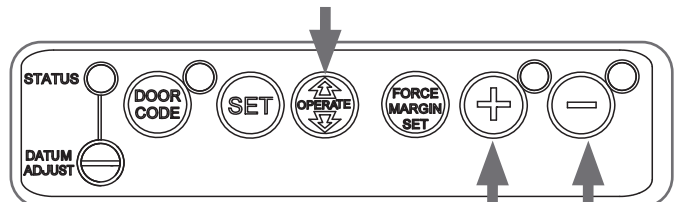
The Safety Obstruction Force is calculated automatically during setup. Adjusting this is normally only necessitated by environmental conditions such as windy or dusty areas, and areas with extreme temperature changes.

13.2 To Increase Force Pressure

- Hold down the FORCE MARGIN SET button.
- While holding the FORCE MARGIN SET button, press the OPEN button. Each press will increase the force margin.
- The PLUS (+) LIMIT LED will flash each time the PLUS (+) button is pressed to indicate an increase in force.
- If the PLUS (+) LIMIT LED flashes continuously when the PLUS (+) button is being pressed, this indicates that the maximum force setting has been reached.
- Test the force again as per Testing Close Cycle and Testing Open Cycle.

13.3 To Decrease Force Pressure

- Hold down the FORCE MARGIN SET button.
- While holding the FORCE MARGIN SET button, press the CLOSE button. Each press will decrease the force margin.
- The MINUS (-) LIMIT LED will flash each time the MINUS (-) button is pressed to indicate a decrease in force.
- If the MINUS (-) LIMIT LED flashes continuously when the MINUS (-) button is being pressed, this indicates that the minimum force setting has been reached.
- Test the force again as per Testing Close Cycle and Testing Open Cycle.



13.4 To Recall Factory Set Force

- Holding down the FORCE MARGIN SET button and the SET button for two seconds.
- Release both buttons. The default setting should now be recalled.

13.5 To Recalculate Force Margins

- Press and hold the FORCE MARGIN SET Button for six (6) seconds, the beeper will sound once.
- The door will start to move and re-calculate force margins. The door can move between the open and close limit positions up to four (4) times (depending on the position of the door and the power up condition).
- A single beep will be heard once the process is complete.
- Test the force again as per Testing Close Cycle and Testing Open Cycle.

14. Coding a Transmitter

14.1 Storing the Transmitter Code

The opener can only be operated from remote control transmitters that have been programmed into its memory. Up to 8 codes can be stored in the memory.

- Press and hold the DOOR CODE button.
- Press Button 1 on the transmitter for two seconds. Release and pause for two seconds. Press the Button 1 again for two seconds.
- Release the DOOR CODE button. The transmitter button is now coded, press to test.

14.2 Coding a Button to Enable Vacation Mode

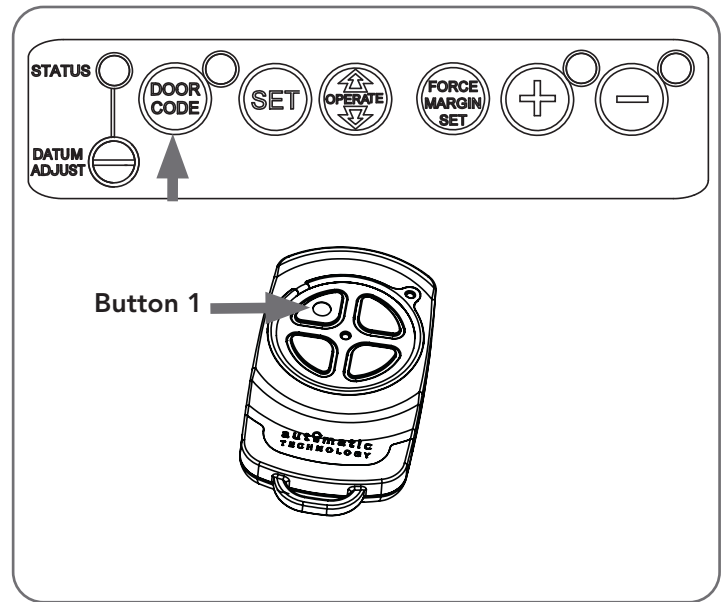
The opener can be programmed into a "Vacation Mode" where the opener will not respond to any transmitter except the button of the transmitter that was programmed for vacation mode.

- Briefly press the DOOR CODE button once, then press it again and hold (will beep two times on second press).
- Press one of the four (4) buttons on the transmitter for two (2) seconds, pause for two (2) seconds, then press the same button again for two (2) seconds.
- Release DOOR CODE button.
- Press and hold the transmitter button for six (6) seconds to set Vacation Mode. The door code LED will stay lit while Vacation Mode is active.
- To reset Vacation Mode, press the same button for two seconds.

14.3 Coding a Transmitter to the Courtesy Light

The transmitter can be programmed to operate the courtesy light on the opener independently of the door moving.

- Press and hold the LIGHT CODE button.
- Press one of the four buttons on the transmitter for two (2) seconds, pause for two (2) seconds, then press the same button again for two (2) seconds.
- Release the LIGHT CODE button.
- Press the transmitter button to test.



IMPORTANT NOTE: Only TrioCode™128 Technology Transmitters are compatible with these GDO-8 products.

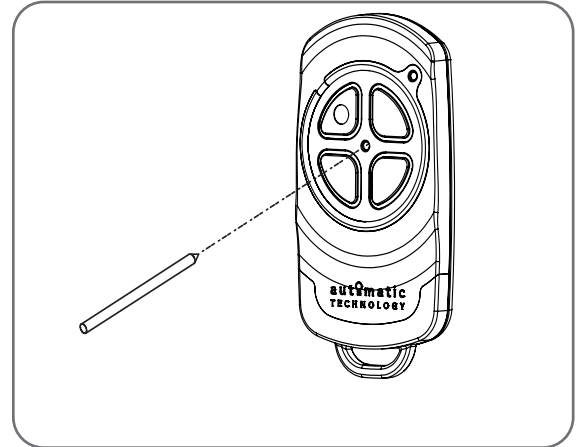


14. Coding a Transmitter

14.4 Remotely Coding Transmitters

Using this method transmitters can be coded without access to the opener's control panel as long as a pre-coded transmitter is available.

- Take any pre-coded transmitter. Press the button for the function to be duplicated and release.
- Using a small needle / pen, press and hold firmly for two seconds the middle button, through the Coding Hole.
- Within ten (10) seconds take the additional transmitter you wish to code. Hold the new transmitter's button for two seconds, pause for two seconds, hold again for two seconds and then release.
- Wait for ten (10) seconds and then press the new transmitter's button to test.



14.5 Erasing a Stored Transmitter Code

- Select the transmitter you want to delete.
- Press and hold the DOOR CODE BUTTON.
- Press the transmitter button you would like to delete for two seconds, pause for two seconds, press again for two seconds and then release.
- Release the DOOR CODE BUTTON. The code should now be deleted. Confirm this by pressing the transmitter button - the function (e.g. door opening) should not respond.

14.6 Erasing All Transmitter Codes

- Turn off power to the opener.
- While switched off, press and hold the DOOR CODE BUTTON. Turn on power to the opener while holding this button.
- The OPEN LIMIT, CLOSE LIMIT and DOOR STATUS LEDs will illuminate for about five seconds. These LED's will turn off and the CODING LED will illuminate.
- Release the DOOR CODE BUTTON. All stored codes will now be deleted. Confirm this pressing buttons on any previously coded transmitters - the opener should not respond.

14.7 Locking the control panel

To lock or disable the control panel, a transmitter button must be coded to operate the door.

- Press and hold the Plus (+) button and then the coded button (Button 1) of the transmitter and hold until you hear a beep (approx. four (4) seconds).
- Release both buttons.
- The control panel should now be locked. Press the Operate button on the opener to confirm the door does not move.
- To unlock the control panel repeat the above steps.



15. Home Owner Safety Warnings!

This automatic garage door opener is designed and tested to offer safe service provided it is installed and operated in strict accordance with the following safety warnings. Failure to comply with the following instructions may result in death, serious personal injury or property damage.

WARNING! IMPORTANT SAFETY INSTRUCTIONS

IT IS IMPORTANT FOR THE SAFETY OF PERSONS TO FOLLOW ALL INSTRUCTIONS.

SAVE THESE INSTRUCTIONS



WARNING!

- Details on how to use manual release. When operating the manual release while the door is open, the door may fall rapidly due to weak or broken springs, or due to being improperly balanced.
- DO NOT disengage the opener to manual operation with children/persons or any objects including motor vehicles within the doorway.
- If the door is closing and does not re-open when obstructed, discontinue use. DO NOT use a door with faulty obstruction sensing.
- Frequently examine the installation, in particular check cables, springs and mountings for signs of wear, damage or imbalance. DO NOT use if repair or adjustment is needed since fault in the installation or an incorrectly balanced door may cause injury..



ELECTROCUTION!

- Place opener in protected area so that it does not get wet.
- DO NOT spray with water .
- DO NOT open the protective covers.
- DO NOT operate opener if cable is damaged. It must be replaced by the manufacturer, its service agent or similarly qualified person in order to avoid a hazard.
- Disconnect the supply(s) when cleaning or other maintenance is being carried out..



DO NOT DO IT YOURSELF

- Keep the garage door balanced. Sticking or binding doors must be repaired. Garage doors, door springs, brackets and their hardware are under extreme tension and can cause serious personal injury. DO NOT attempt any garage door adjustment. DO NOT use if repair or adjustment is needed. Call for a professional garage door service.



BATTERY WARNING!

- This product contains a lithium button/coin cell battery in the transmitters. If a new or used lithium button/coin cell battery is swallowed or enters the body, it can cause severe internal burns and can lead to DEATH in as little as 2 hours. Always completely secure the battery compartment. If the battery compartment does not close securely, stop using the product, remove the battery and keep it away from children. If you think batteries might have been swallowed or placed inside any part of the body, SEEK IMMEDIATE MEDICAL ATTENTION.



CAUTION:

Emergency access

Entrapment under operating door

Fall from Ladder

Entanglement in or laceration from moving door

- If your garage has no pedestrian entrance door, an emergency access device should be installed. This accessory allows manual operation of the garage door from outside in case of power failure.
- Watch the moving door and keep people away until the door is completely opened or closed. DO NOT operate door when persons are near the door.
- DO NOT allow children to play with door controls or transmitters. Keep remote controls away from children.
- The appliance is not to be used by persons (including children) with reduced physical, sensory or mental capabilities, or lack of experience and knowledge, unless they have been given supervision or instruction.
- Children being supervised not to play with the appliance.
- Regularly conduct Open and Close cycle testing.
- Each month check that the drive reverses when the door contacts a 40mm high object placed on the floor. Adjust if necessary and recheck since an incorrect adjustment may present a hazard.
- Ensure the garage door is in good working order by undertaking regular servicing.
- Wall transmitters should be installed in a location where the garage door is visible, but out of the reach of children at a height of at least 1.5m.
- Install Safety Beams (recommended).
- Ensure ladder is the correct type for the job.
- Ensure ladder is on flat ground.
- Ensure user has 3 points of contact while on ladder.
- Keep hands and loose clothing clear of door and guides at all times.
- Keep hands clear of moving door as sharp edges can cause cuts or lacerations.

16. Opener Safety & Security

16.1 Your Door CAN NOT be used by the opener when:

- There is a locking device installed.
- There is a power failure.

16.2 Your Door CAN be used when:

- There is an emergency, by disengaging the opener.
- There is a power failure, by disengaging the opener.

16.3 To Disengage the Opener:

- It is recommended to do so with the door in the closed position.
- Pull down on the manual release cord, until you hear a click.
- Move the door manually.



CAUTION: When the opener is manually disengaged, the door is no longer locked. To lock the door manually, re-engage the opener after the door is closed.

16.4 To Re-Engage the Opener:

- Check the door has not been locked by a locking device.
- Pull down on the manual release cord, until you hear a click.
- The door will now operate from the opener.



WARNING! Please test the manual release mechanism to ensure that the manual release is easy to operate. No more than 20kg of force should be required to disengage the door using the manual release cord. If excessive force is required reset the close limit position (Section 11. Resetting Door Limits).



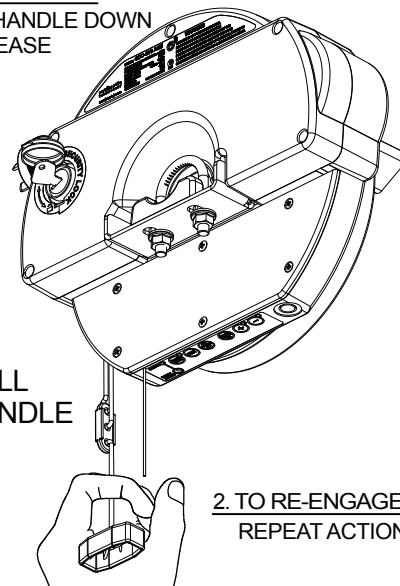
WARNING! When operating the manual release (while the door is open) the door may fall rapidly due to weak or broken springs, or due to being improperly balanced.

Do not disengage the opener to manual operation with children/persons or any objects including motor vehicles within the doorway.

MANUAL RELEASE

1. TO DISENGAGE:

PULL HANDLE DOWN
& RELEASE

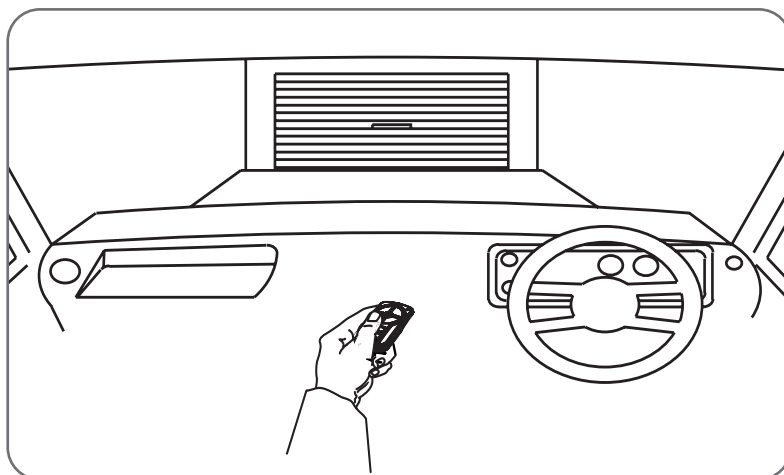


2. TO RE-ENGAGE:
REPEAT ACTION

17. Operating your Opener

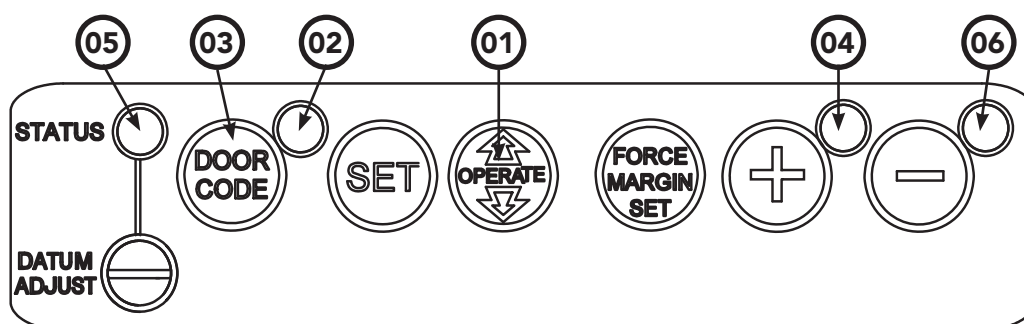
17.1 To Operate the opener:

- Press the programmed transmitter button until your door begins to move (usually 2 seconds). Make sure you can see the door when you use the transmitter.
- If you are in a vehicle you should aim the transmitter through your windscreen as shown.
- Check that the door is fully open or closed before you drive in or away.
- If you press the transmitter whilst the door is moving the door will stop. The next press of the transmitter will move the door in the opposite direction.



18. User Operating Controls

Button	Function
1. OPERATE	Opens/stops/closes the door
2. CODING LED (Red)	Flashes when a code is being stored or when the transmitter button is pressed
3. DOOR CODE (Blue)	Is used for storing or erasing transmitter buttons for door operation
4. PLUS (+) LED (Green)	Illuminates and flashes as the door opens and remains on when the open limit position has been reached.
5. DOOR STATUS LED (Yellow)	Illuminates when Service is due.
6. MINUS (-) LED (Red)	Illuminates and flashes as the door opens closes, and remains on when the close limit position has been reached.



19. Door Status Indicators

Door Status Indicators	PLUS (+) LED (green)	MINUS (-) LED (red)	Beeper
Open	On		
Close		On	
Opening	Flashing		
Closing		Flashing	
Door travel stopped	Flashing	Flashing	
Door obstructed when opening	Flashing		Beeps while door is moving
Door obstructed when closing		Flashing	Beeps while door is moving
Opener overloaded	Alternating flashes	Alternating flashes	
Mains power interrupted	Rapid flashes		



20. Specifications

Technical Specifications	GDO-8V3 ShedMaster®
Power supply	230 - 240Va.c. 50Hz
Maximum door opening Door Height:	3.25 turns of the drum wheel (approx. 3000mm)
Maximum Door Weight: Door Area:	100kg 16.5m ²
Door must be well balanced and able to be operated by hand, as per warranty conditions and standard AS/NZS 4505:2012	
Minimum sideroom	40mm
Lift Force	450N
Nominal force	120N (12kg)
Receiver type	Multi-frequency UHF FM (433.47, 433.92 & 434.37MHz)
Receiver code storage capacity	8 X Triocode™128 4-button Transmitters
Coding System	TrioCode™ 128 Type
Coding type	Code Hopping
Number of code combinations	Over 100 billion random codes
Transmitter battery	CR2032 (3 Volts)
Courtesy light	Light Module (Optional)
Network connectivity	Not Available

Note: Intermittent operations may occur in areas which experience very strong winds. The strong wind puts extra pressure on the door and tracks which may in turn intermittently trigger the safety obstruction detection system.



21. Troubleshooting

Symptom	Possible cause	Remedy
The opener does not work from the transmitter	The opener does not have power	Plug a device of similar voltage (e.g. a hairdryer) into the power point and check that it is OK
	The battery in the transmitter is flat	Replace the battery
	Transmitter does not contain TrioCode™ 128 Technology	Check that the transmitter has grey buttons and the model number on the back displays V2. Contact dealer for support if otherwise.
	The opener has been put into "Vacation Mode"	Turn off "Vacation Mode" (Section 14)
	The transmitter button is not programmed to operate the door.	Code in the transmitter
Door Code LED is flashing yet the opener is not working.		Ensure the correct button on the transmitter is being pressed.
One transmitter works but the other/s do not	Faulty transmitter	Replace transmitter
	Flat battery	Replace battery
The motor is running but the door remains stationary	The opener is disengaged	Re-engage the opener
The transmitter range varies or is restricted	Variations are normal depending on conditions e.g. temperature or external interference	Make sure you can see the door when you use the transmitter.
	The battery life is exhausted	Check the battery status by pressing a button (flashing or no light requires battery to be changed)
	Position of the transmitter in the motor vehicle	Aim the transmitter through the windscreen.
The door reverses for no apparent reason	This may occur occasionally from environmental conditions such as areas that are windy, dusty or have extreme temperature changes.	Ensure the door runs smoothly before increasing the force pressure.
	If Safety beams are installed they may be partially obstructed.	Ensure the beam path is not obstructed. Check the Alignment.
The door stops or moves very slowly.	Garage door in poor condition e.g. springs may be broken.	Check the door's operation.
The SERVICE LED has started to flash and is beeping numerous times	A Fault has been detected. The fault will be active each time an attempt is made to operate the door.	Record opener function (How many beeps?) then press the SET button once to reset the opener. If the fault continues to be tripped contact 1300 133 944 for support.



21 Troubleshooting

Symptom	Possible cause	Remedy
The Open (Green) LED and MINUS (-) (Red) LED are flashing alternately	Opener is overloaded	Check the doors operation by disengaging the motor and ensuring the door runs smoothly. If necessary make door adjustments or discontinue use and contact 1300 133 944 for support.
The Open (Green) LED continues to flash	Door obstructed when opening	Clear away any obstructions and test door opens correctly. (If door is damaged, contact your door professional).
The MINUS (-) (Red) LED continues to flash	Door obstructed when closing	Clear away any obstructions and test door closes correctly. (If door is damaged, contact your door professional).
	Limits may be cleared	Remove all power sources. Wait till all lights are out (10-15 secs), then reconnect power. If Red LED is flashing, limits are not set. Reset Limits.

Date	Time	Number of Beeps

If You Need a Service Call

If the opener needs a service please call the dealer who installed the garage door opener (their contact details are usually on a sticker on the back of your garage door). For product assistance contact 1300 133 944 within Australia.

BEFORE CALLING you should have the following information to assist in providing the appropriate service:

1. Has anything happened since the opener last operated OK, e.g. a storm, a jolt to the door etc.?
2. What is the current light status on the opener?
3. Manually disengage the door (Section 16).
How easy is it to manually open and close the door?
4. What model is the opener? (Model no. information is located at the rear of the opener)
5. Who installed the opener? (Dealer details should be on a sticker on the back of your garage door)
6. When was it installed? (If known)



22. After Installation Care

22.1 Service Checklist

Preventative servicing of your garage door and opener, is just as important as servicing your car. Much like the engine of your car, your garage door is made up of numerous moving parts designed to lift and lower your door safely and efficiently.

Ongoing preventative servicing ensures that your door continues to function within factory specifications, greatly reduces the risk of failure and repair bills down the track and ensures you maintain your Warranty.



Run the Safety Testing procedures MONTHLY in Section 12 to ensure garage door is fit for use.



WARNING! Failure to maintain your your garage door voids the warranty on your garage door opener.



DO NOT DO IT YOURSELF:

Door adjustments should only be carried out by experienced persons, as this function can be dangerous if not performed under strict safety procedures.

TECHNICIAN CHECKLIST

1. Lubrication of the critical moving parts including chain drive, tracks, wheels or cable drum.
2. Tightening of door mounting points along with door bolts, screws, cables and connectors.
3. Adjustment of spring tension to limit 'spring fatigue'.
4. Adjustment of opener travel limits and force margin to ensure the door opens and closes to specification.
5. Assessment and adjustment of safety components and accessories including safety beams, Auto-Lock and Safe Lock (if installed)
6. Assessment of the door alignment and the diagnosis of irregular operation remedies.
7. Record Cycle count at each service to establish next date of service (as per table)

	SERVICE 1 (12 months after installation or 3,000 cycles)		SERVICE 2 (3 years after installation)		SERVICE 3 (5 years after installation)	
DATE:						
BUSINESS NAME:						
TECHNICIAN NAME:						
PG3 COUNTERS	OPEN	CLOSE	OPEN	CLOSE	OPEN	CLOSE
STALLS						
OBSTRUCTIONS						
SENSOR FAULTS						
OVERLOADS / CUT-OUTS						
WARRANTY CYCLES						
FIRMWARE UPDATE AVAILABLE? IF 'YES' PLEASE UPDATE FIRMWARE	YES	NO	YES	NO	YES	NO
CURRENT FORCE MARGIN						
TECHNICAL SIGNATURE:						



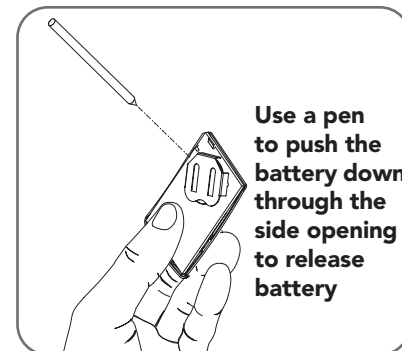
22. After Installation Care

22.2 Battery Replacement

Battery Type:

3V Lithium Battery CR2032.

- To test the battery is working, press and hold a transmitter button. Check Light Status table to determine if battery needs replacing
- Use finger nails to separate the transmitter casing to expose circuit board.
- Use a non-metallic object (e.g. pen) to remove the battery.



Light Status	Battery Status
Solid	OK
Flashing	Requires replacement
No light	Requires replacement



WARNING! Chemical Burn Hazard. Keep batteries away from children.

22.3 Battery Disposal

When batteries reach the end of their usual life in accordance with Australian Battery Recycling Initiative please follow the next simple steps for protecting the environment.



WARNING! The Battery shall be disposed of properly, including keeping them away from children. Even used batteries may cause injury.



DO NOT throw the batteries in municipal waste. This symbol of the crossed out wheeled bin indicates that the battery should not be placed in the municipal waste. Check your local regulations for appropriate disposal of the batteries.

Recycling all batteries will have other environmental and social benefits:

- Some batteries are less toxic but hazardous for other reasons. Lithium batteries can explode or catch fire in landfill, while button cells are dangerous if swallowed by children. Recycling offers a safe and environmentally responsible solution for end of life batteries.
- Battery recycling recovers non-renewable materials such as lead, cadmium, steel, zinc, manganese, cobalt, silver, plastics and rare earth elements.
- Removal of batteries and other hazardous household products from household waste facilitates the recovery of organic materials through alternative waste technologies such as composting. Batteries and heavy metals are known contaminants in compost.
- The community supports recycling because it reduces waste to landfill and achieves environmental benefits.



WARNING! Prior to disposal, recycling, or collection, all battery terminals must be securely insulated with a non conductive material to prevent any two batteries from short circuiting and generating heat during storage or transport. Battery terminals may be insulated with electrical tape; or batteries may be individually packaged in a non conductive material (e.g., plastic bag or original packaging).

22.4 Warranty

Warranty conditional on proper servicing as listed in 22.1 Service Checklist. Full details of the warranty are available in your Owners Opener Handbook, from your nearest ATA office or visit the ATA Website ata-aust.com.au.



Automatic Technology office location

Head Office 6-8 Fiveways Blvd, Keysborough 3073 Phone (03) 9791 0200

Prefixed trademarks are the property of Automatic Technology (Australia) Pty Ltd
ABN 11 007 125 368. © 2020 Automatic Technology Australia Pty Ltd.

ata-aust.com.au

**SMART
SIMPLE
SECURE**