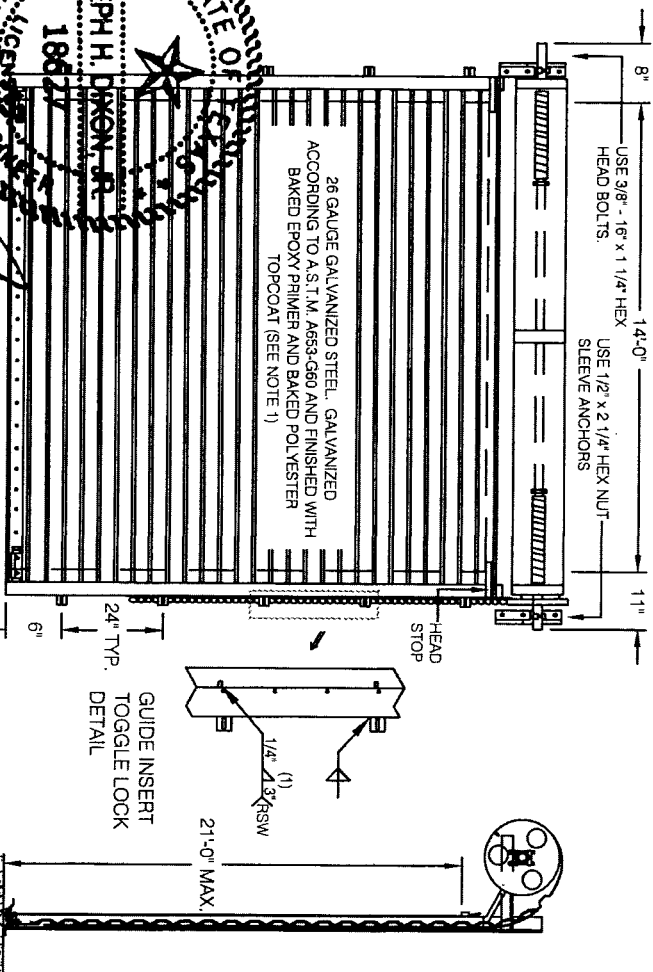


STATE OF FLORIDA
 PROFESSIONAL ENGINEER
 JOSEPH H. DIXON, R.
 186227

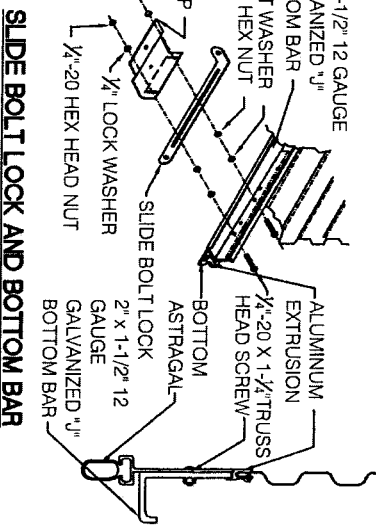
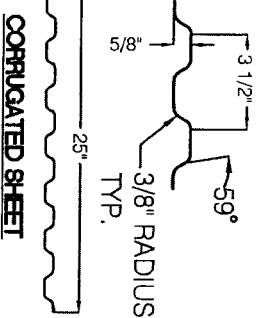
INTERIOR ELEVATION

SIDE ELEVATION



9/29/15

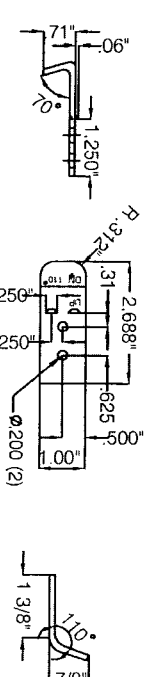
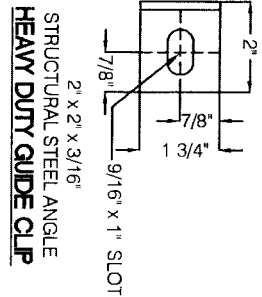
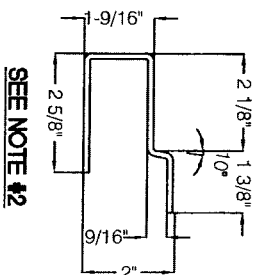
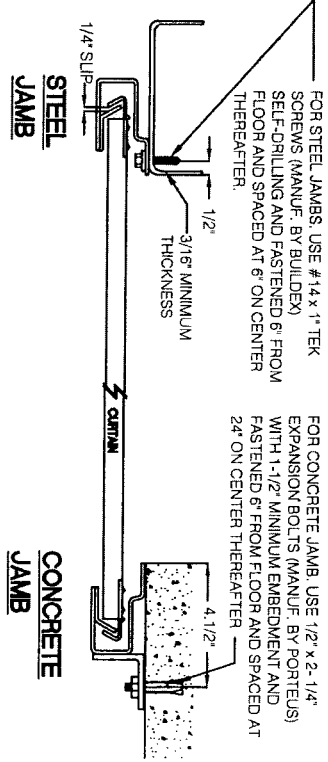
ONE LOCK LOCATED AT EACH END OF CURTAIN.



- NOTES:
1. STEEL FOR CORRUGATED SHEET ASTM-A653 WITH MINIMUM YIELD OF 80 KSI AND TENSILE STRENGTH OF 92 KSI. (GRADE 80)
 2. GUIDES ROLL FORMED (12) GAUGE (110" - 120") GALVANIZED STEEL.
 3. GUIDE INSERT FORMED (12) GAUGE GALVANIZED STEEL.
 4. (10) GAUGE GALVANIZED STEEL WINDLOCK CLIP FASTENED WITH TWO 3/16" x .440" POP RIVETS ON FOUR CORRUGATIONS PER SHEET OF EACH SHEET

SUMMARY OF OUTSTANDING FORCES FOR ALL TESTS COMPARED TO CURRENT TEST METHOD. REPORT NO. CILA-3801W DATED 2/20/2014

THIS INDICATES THAT THE CURTAIN WINDLOCK WINDLOCK CONNECTIONS APPROXIMATELY THE SAME AS THOSE IN THE TEST DOOR PROVIDED THAT THE DOOR IS CONSTRUCTED THE SAME FOR ALL OPENING WIDTHS.



WINDLOCK CLIP (SEE NOTE #4)

GUIDE INSERT (SEE NOTE #3)

Test Door	Width	Design Windload	Door
14 x 7	ft	Pos psf	Neg psf
14 x 7	14	35	35
14 x 7	14	35	203
14 x 7	14	35	0.017

Calibration calculations for test door maximum design pressure

Max Door Size	8 x 21	9 x 21	10 x 21	11 x 21	12 x 21	13 x 21	14 x 21	15 x 21	16 x 21	17 x 21	18 x 21	19 x 21	20 x 21
8	61.2	61.2	61.2	61.2	61.2	61.2	61.2	61.2	61.2	61.2	61.2	61.2	61.2
9	61.2	61.2	61.2	61.2	61.2	61.2	61.2	61.2	61.2	61.2	61.2	61.2	61.2
10	61.2	61.2	61.2	61.2	61.2	61.2	61.2	61.2	61.2	61.2	61.2	61.2	61.2
11	61.2	61.2	61.2	61.2	61.2	61.2	61.2	61.2	61.2	61.2	61.2	61.2	61.2
12	61.2	61.2	61.2	61.2	61.2	61.2	61.2	61.2	61.2	61.2	61.2	61.2	61.2
13	61.2	61.2	61.2	61.2	61.2	61.2	61.2	61.2	61.2	61.2	61.2	61.2	61.2
14	61.2	61.2	61.2	61.2	61.2	61.2	61.2	61.2	61.2	61.2	61.2	61.2	61.2
15	61.2	61.2	61.2	61.2	61.2	61.2	61.2	61.2	61.2	61.2	61.2	61.2	61.2
16	61.2	61.2	61.2	61.2	61.2	61.2	61.2	61.2	61.2	61.2	61.2	61.2	61.2
17	61.2	61.2	61.2	61.2	61.2	61.2	61.2	61.2	61.2	61.2	61.2	61.2	61.2
18	61.2	61.2	61.2	61.2	61.2	61.2	61.2	61.2	61.2	61.2	61.2	61.2	61.2
19	61.2	61.2	61.2	61.2	61.2	61.2	61.2	61.2	61.2	61.2	61.2	61.2	61.2
20	61.2	61.2	61.2	61.2	61.2	61.2	61.2	61.2	61.2	61.2	61.2	61.2	61.2

MODEL 203 WINDLOCK COMMERCIAL SHEET DOOR

4255 McEver Industrial Dr.
 Acworth, GA 30101
 PH: (770) 974-2500/Fax: (770) 974-1455
 www.aslador.com

TEST SIZE	DESIGN PRESSURE	TEST PRESSURE
14'-0W x 7'H	+/- 35.0	+/- 92.5

REFERENCE: CIL TEST REPORT #3001W
 TEST DATE: 2/20/2014
 194 PREMIER ROAD
 ORLANDO, FL 32822

MAXIMUM SIZE 20 WIDE x 21 HIGH