



4645 Timber Ridge Dr. Suite 250  
 Douglasville, GA 30135  
 (800) 542-0501  
 DBCI.com

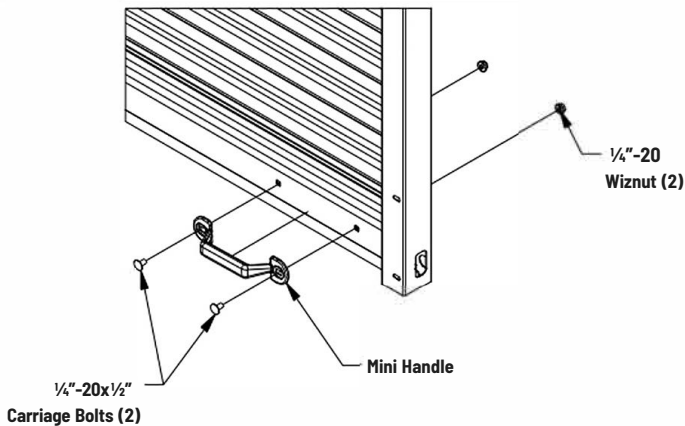
## NS SUPPLEMENTAL INSTALLATION INSTRUCTION

Rev. Date: 10/17/2023

810042-0000

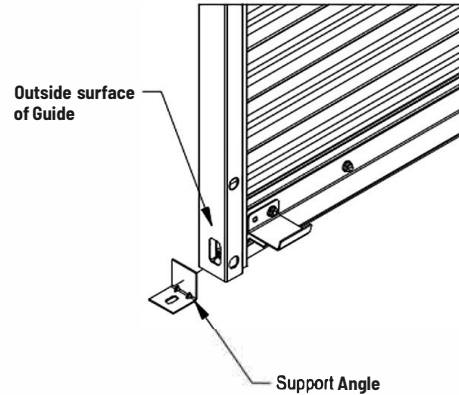
### STEP 1

#### INSTALL THE MINI HANDLE



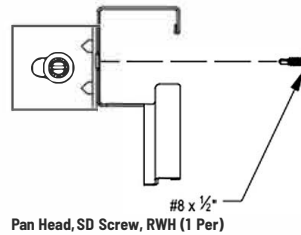
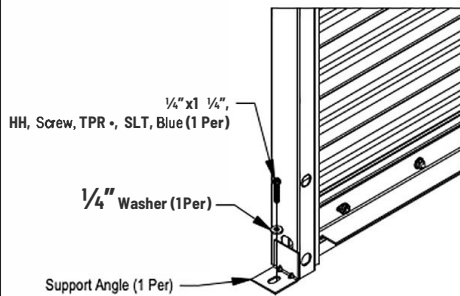
### STEP 2

#### PLACE THE SUPPORT ANGLE



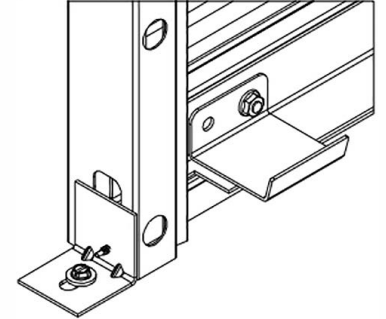
### STEP 3

#### SECURE THE SUPPORT ANGLE



### STEP 4

#### VERIFY SUPPORT ANGLES ARE SECURE



STEP 1: Install the Mini Handle to the bottom bar on latch side of door using (2) 1/4" - 20 x 3/4" Carriage bolts and (2) 1/4" - 20 Wiznuts.

STEP 2: Place the Support Angle on floor and against the outside surface of the Guide.

STEP 3: Secure the Support Angle to the floor using the (1) 1/4" x 1-1/4" HH, TPR+, SLT, Blue, Screw and (1) 1/4" Washer. Next secure the Support Angle to the Guide using (1) #8 x 1/2" Pan Head, SD Screw, RWH. Repeat steps 2 & 3 to install the remaining Support Angle on the opposite side.

STEP 4: Verify both Support Angles have been properly secured to the floor and Guides.

#### NOTE:

> HANDLE TO BE PROVIDED AND INSTALLED ON THE LATCH SIDE ONLY.

#### NOTE:

>(2) SUPPORT ANGLES WILL BE PROVIDED AND INSTALLATION OF SUPPORT ANGLES ARE REQUIRED. FAILURE TO PROPERLY INSTALL SUPPORT ANGLES WILL RESULT IN DOOR NOT BEING CONSIDERED ENHANCED SECURITY (NS)