

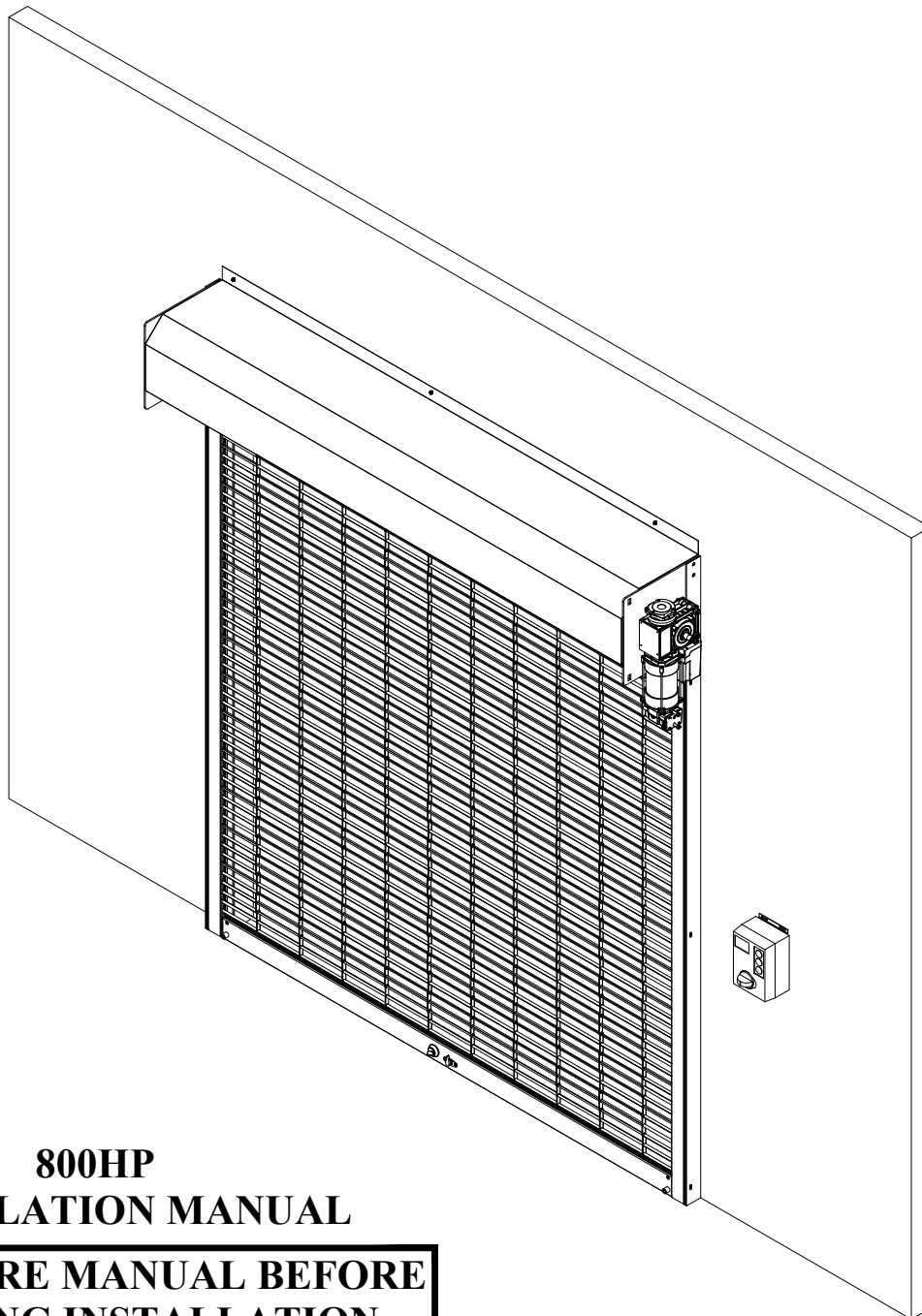
638 Cassville White Rd NW  
Cartersville, GA 30121

Office: 770-974-2600  
Fax: 770-974-1455  
www.astaamerica.com



**ASTA**AMERICA®

BY JANUS INTERNATIONAL




**800HP  
INSTALLATION MANUAL**


**READ ENTIRE MANUAL BEFORE  
BEGINNING INSTALLATION**


# SAFETY INFORMATION


Overhead doors are large, heavy objects that move with the help of springs under high tension and/or electric motors. Since moving objects, springs under tension, and electric motors can cause injuries, your safety and the safety of others depend on you reading the information in this manual. If you have questions or do not understand the information presented, call your nearest service representative.

In this section, and those that follow, the words "Danger", "Warning", and "Caution" are used to emphasize important safety information. For example:

 **DANGER:** Indicates an imminently hazardous situation which, if not avoided, will result in death or serious injury.

 **WARNING:** Indicates a potentially hazardous situation which, if not avoided, could result in death or serious injury.

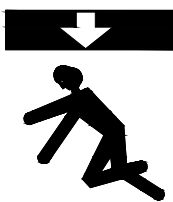



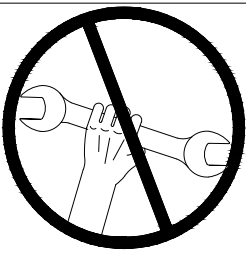

 **CAUTION:** Indicates a potentially hazardous situation which, if not avoided, may result in injury or property damage.

 **WARNING!**

A high performance rolling steel door is a large heavy object that moves with the help of powerful electric motors. Electric motors can cause serious injuries or death. For your safety and the safety of others, follow these instructions.

 **CAUTION**

Use proper lifting equipment and correct lifting procedures to avoid damage or injury.

POTENTIAL HAZARD	EFFECT	PREVENTION
 <p>MOVING DOOR</p>	 <b>WARNING</b> Could result in death or serious injury	Keep people clear of opening while door is moving. DO NOT allow children to play with the door operator. DO NOT operate a door that jams or has a broken spring.
 <p>ELECTRICAL SHOCK</p>	 <b>WARNING</b> Could result in death or serious injury	Turn off power before removing operator cover. When replacing operator cover, make sure wires are not pinched between or near moving parts. Operator must be properly grounded.
 <p>HEAVY COMPONENTS</p>	 <b>WARNING</b> Could result in death or serious injury	Door must be fully opened when making adjustments. Repairs and adjustments must be made by a trained rolling door systems technician using proper tools and instructions.

# TABLE OF CONTENTS

**Warnings**.....SAFETY

## **Overview and Parts**

- 1. Exploded View of Major Components.....1
- 2. Miscellaneous Hardware.....2

## **Installation**

- 1. Installing Wall Angles.....3
- 2. Installing guides.....4
- 3. Installing Barrel and Headplates to Guide Assembly.....4
- 4. Installing Headstops.....5
- 5. Engaging the operator.....5
- 6. Installation of the Hood(s).....6

## **Checklist**

- 7. Checking for Correct Operation.....7

## **Appendix**

- A. Guide Mounting Details.....APPX-A
- B. Guide Measurement Details.....APPX-B
- C. Mounting Methods.....APPX-C
- D. Troubleshooting.....APPX-D

# OVERVIEW AND PARTS

## Exploded View of Major Components

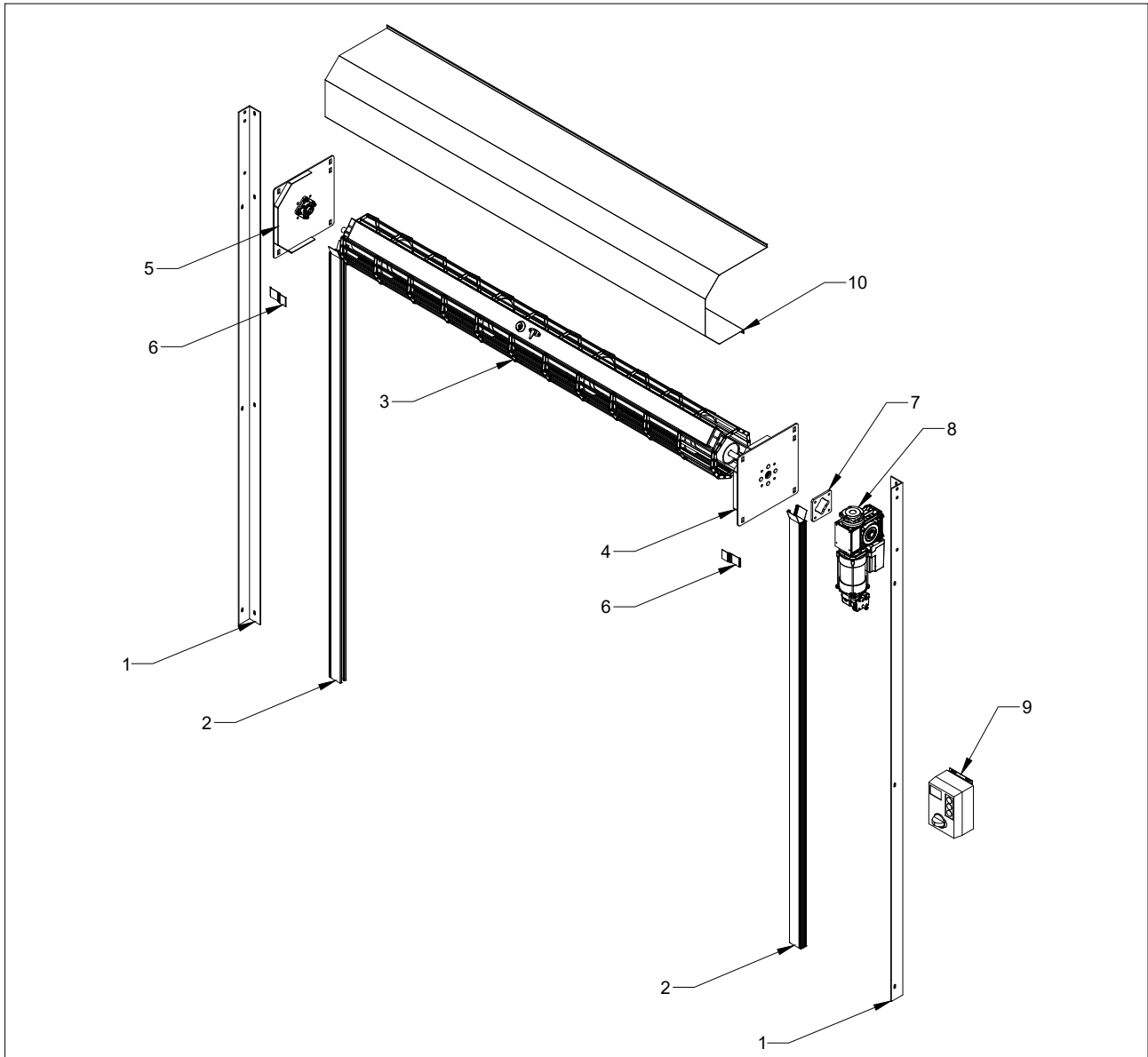


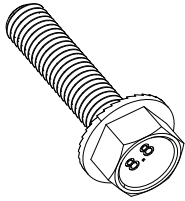
FIGURE 1

TABLE 1: PARTS LIST

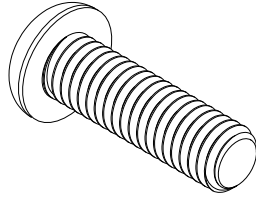
ITEM #	PARTS DESCRIPTION	ITEM #	PARTS DESCRIPTION
1	WALL ANGLE	9	CONTROL BOX
2	GUIDE	10	HOOD
3	BARREL ASSEMBLY		
4	HEADPLATE (RIGHT SIDE)		
5	HEADPLATE (LEFT SIDE)		
6	HEADSTOP		
7	OPERATOR SPACER OR BRACKET		
8	OPERATOR		

# OVERVIEW AND PARTS

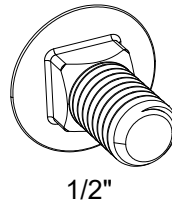
1



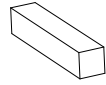
2



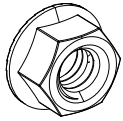
3



4

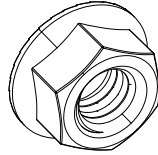


5



3/8"

6



1/2"

7



8



9

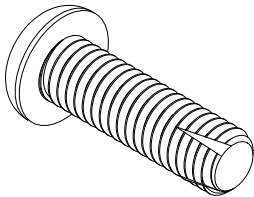


TABLE 2: MISCELLANEOUS HARDWARE LIST

ITEM	DESCRIPTION	QTY.
1	OPERATOR M8 BOLTS	4
2	3/8" X 1" BUTTON HEAD CAP SCREW	X
3	1/2" X 1 1/4" CARRIAGE BOLTS	7
4	DRIVE SHAFT KEY	1
5	3/8" FLANGE NUT	X
6	1/2" FLANGE NUT	6
7	SHAFT COLLAR	2
8	1/4" SELF DRILLING TEK SCREWS	X
9	1/4"-20 1/2" THREADFORMING SCREW	4

**NOTES:**

1. "QTY X" Quantity provided depends on size of door.
2. Not all hardware is listed here, fasteners not listed here are in APPX-C, and are dependant on jamb and size of door

# INSTALLATION

## 1. Installing Wall Angles

- a. Use a plumb bob, laser level, or spirit level to establish a true plumb and square reference line  $3\frac{3}{16}$ " (Figure 3) outside of either side of the opening.
- b. Place the wall angle with its heel along the reference line on the wall. Clamp the wall angle to the wall near the bottom, and near the top.
- c. Using the provided mounting hardware, secure the bottom portion of the wall angle (See Appendix C, Table 4 for fasteners).
- d. Verify wall angle is still plumb. Secure top hole.
- e. Verify and adjust if needed, then secure all other holes.
  - e.a. Use Figure 2 as a method of installing opposite wall angle.
  - e.a. Check that the top of the guides are plumb and square.
  - e.b. Double check that the back of the wall angles maintains  $OW + 6\frac{3}{8}$ " inches apart (Figure 3), at the top bottom and middle.

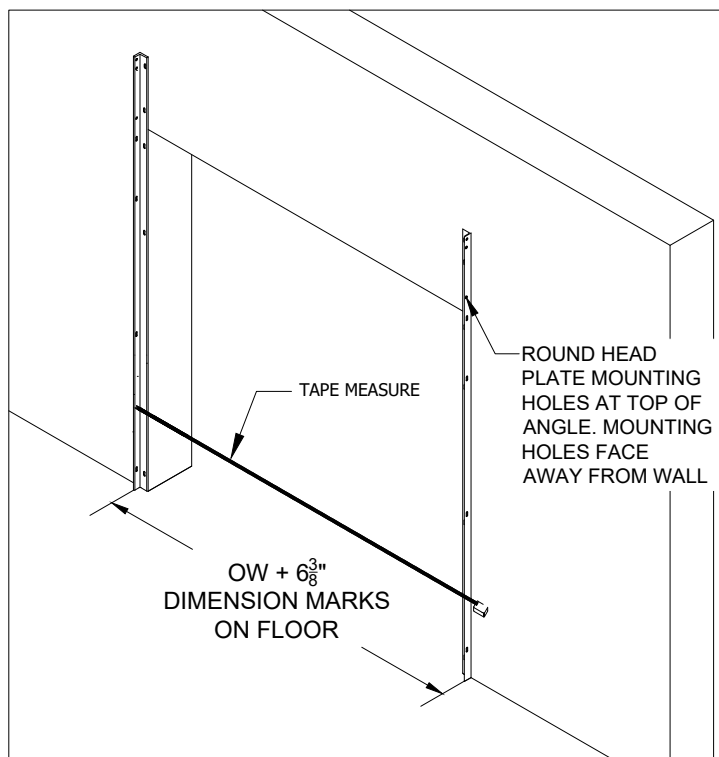


FIGURE 2

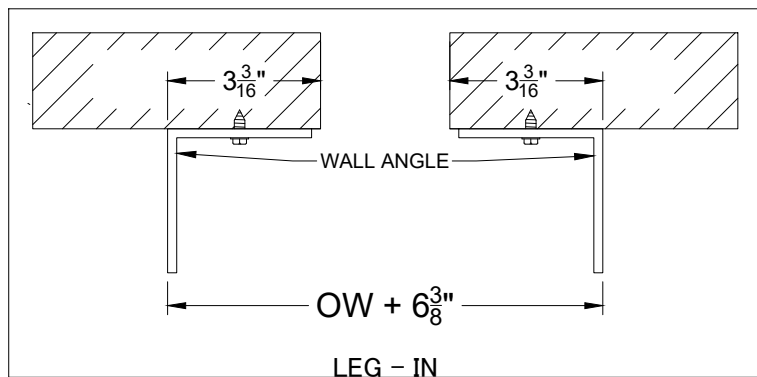


FIGURE 3A

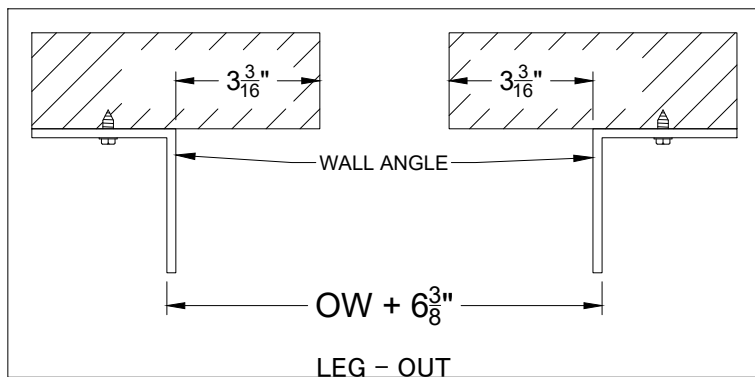


FIGURE 3B

## 2. Installing Guides

- a. Identify the left and right guide extrusions. The guides should open inwards with the flared end to the top.
- b. Using a 3/8" drill bit, drill a hole through the centerline of the guide's short face. The hole should be the same distance from the bottom end of the guide (not the flared end) as the lowest hole on the Wall Angle.
- c. Insert the included 3/8" Button Head Cap Screw through the hole and corresponding wall angle slot, and secure in place with the included 3/8" flange nut.
- d. Verifying that the wall angle and extrusion are parallel, repeat for the highest slot, placing the drill at the bottom of the slot. You may drill from the outside of the wall angle, using the slot as a guide for placement.
- e. Check that the guide is plumb and parallel to the wall angle, adjust if necessary.
- f. Once both ends are secure and the guide is parallel to the wall angle, repeat for all slots in the wall angle.
- g. Repeat for both sides.

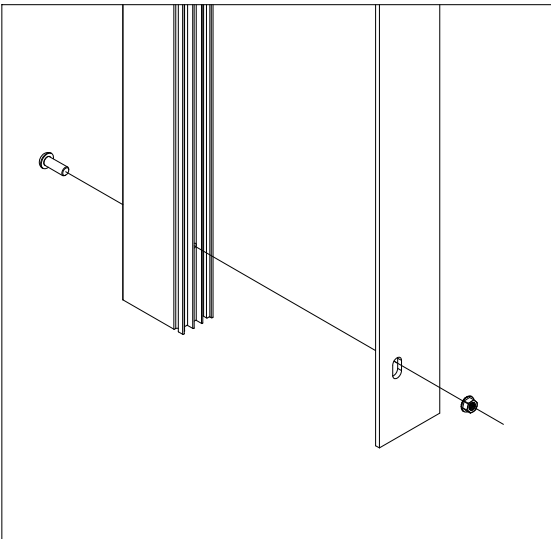


FIGURE 10

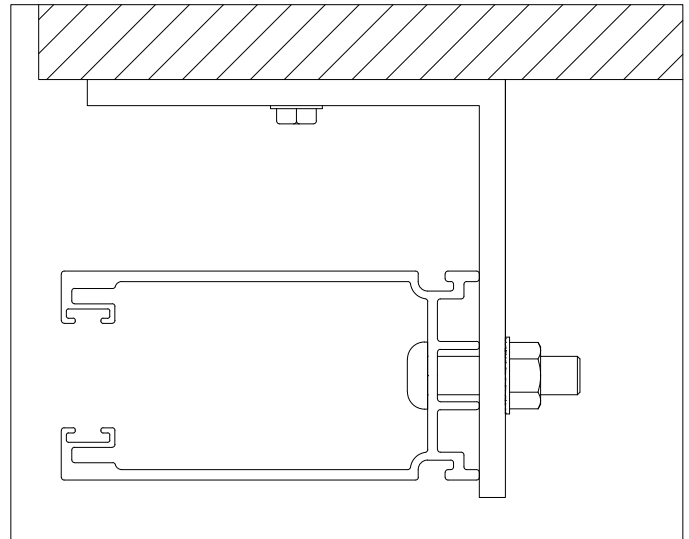


FIGURE 11

## 3. Installing Barrel and Headplates to Guide Assembly

- a. Carefully secure barrel to hoisting equipment and raise into position at top of wall angles.
- b. Attach headplate brackets to the **INSIDE** of wall angles as shown in Figure 9.
- c. **VERIFY THAT BARREL IS DEAD LEVEL BEFORE TIGHTENING HEADPLATE BOLTS!**
  - c.a. You may place a level on the barrel or use an auto leveling device.
  - c.b. Move headplate up or down as needed.
- d. Tighten headplate bolts.
- e. Verify that barrel is unrestricted and free to rotate before proceeding.
  - e.a. Use chain hoist on operator to rotate barrel.
  - e.a. Listen for squeaking, rubbing or creaking.
  - e.b. Verify that the barrel rotates evenly without any wobble.

## **WARNING**

**USE PROPER LIFTING EQUIPMENT AND CORRECT LIFTING PROCEDURES. FAILURE TO DO SO COULD RESULT IN DEATH OR SERIOUS INJURY.**

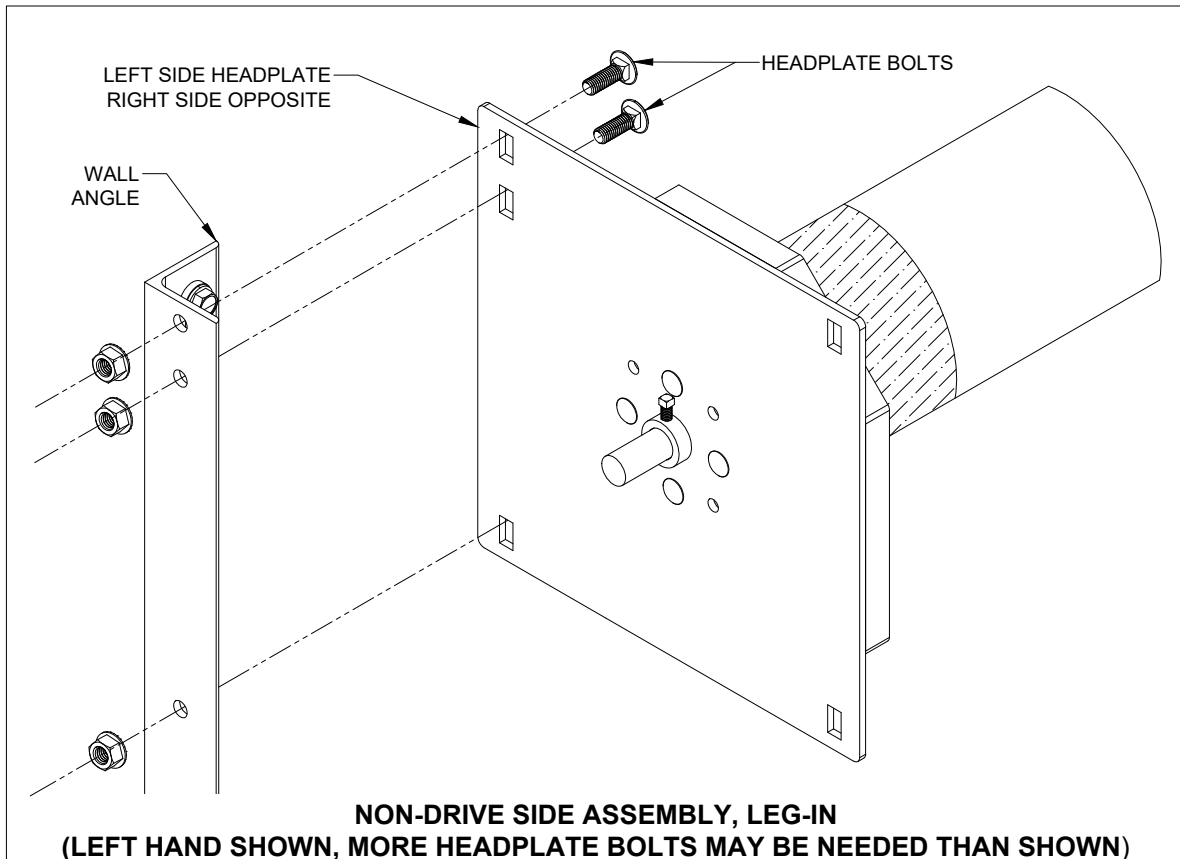


FIGURE 9

### **4. Installing Headstops**

- At the top of the guides, locate and drill 3/16" holes for the headstop mounting screws
- clamp locking pliers to guide extrusions approximately 4" down from the head stops to prevent any downward curtain travel as shown in Figure 13.
- Remove wrapping and packaging from pre-assembled curtain and barrel.
- Release and lower the curtain to rest slack upon the locking pliers, feeding the bottom of the curtain into the guides.
  - The barrel should be free to rotate at this time.
- Using the thread-forming 1/4"-20 x 1/2" screws, install the headstops, securing the bottom bar in the guide extrusion.

### **5. Engaging the Operator**

- Using the operator's manual, set up the motor for operation.
- Once complete test the door several times by opening and closing fully.
  - See Appendix D to check for any symptoms of improper installation.

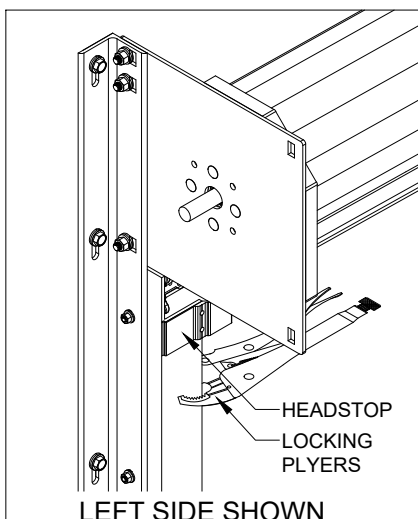


FIGURE 13



## 6. Installation of the Hood(s)

- a. If the provided hood is a single piece with supports, then skip to instruction 10.c. If it has one piece and NO supports, skip to instruction 10.d. If hood was provided in two or more pieces, then overlap the pieces so that the combined hood length is equal to the measured distance between the headplates as shown. Be sure to measure INTERIOR headplate widths on both the front and back side, checking for discrepancies.

Overlap spacing for hoods with 3 or more sections may be found with the following formula:

$$\begin{aligned} & [(\text{"Length of each section"} \times \text{"# of sections"}) - \text{"Headplate to Headplate"}] / (\text{"# of Sections"} - 1) \\ & \text{OR} \\ & (\text{"Total Hood Length Provided"} - \text{"Length of Hood Needed"}) / \text{"# of Joints"} \end{aligned}$$

This number will be the length of overlapping material at each joint.

- b. Fasten overlapped area together with two rows of TEK screws on each flat section as shown below (C).
- c. If hood support brackets are supplied, install evenly across the span of the door, with the topsides flush with the headplate hood band. Use hardware as established in Table 3 (Page 6). Spacing distance can be found by dividing headplate-to-headplate distance by number of supports. This number should be below 8'.
- d. Raise hood with mechanical hoist or forklift and fasten to headplates (A) and header (B). If using multiple sections, place a screw into the header within each overlap section (E).
- e. Fasten hood to bracket at location "D". SUPPORTS MAY LINE UP WITH SECTION JOINTS / TEK SCREWS, DEPENDING ON THE SIZE OF THE DOOR. If a hood-joining screw makes contact with the bracket, use the hood screws to secure.

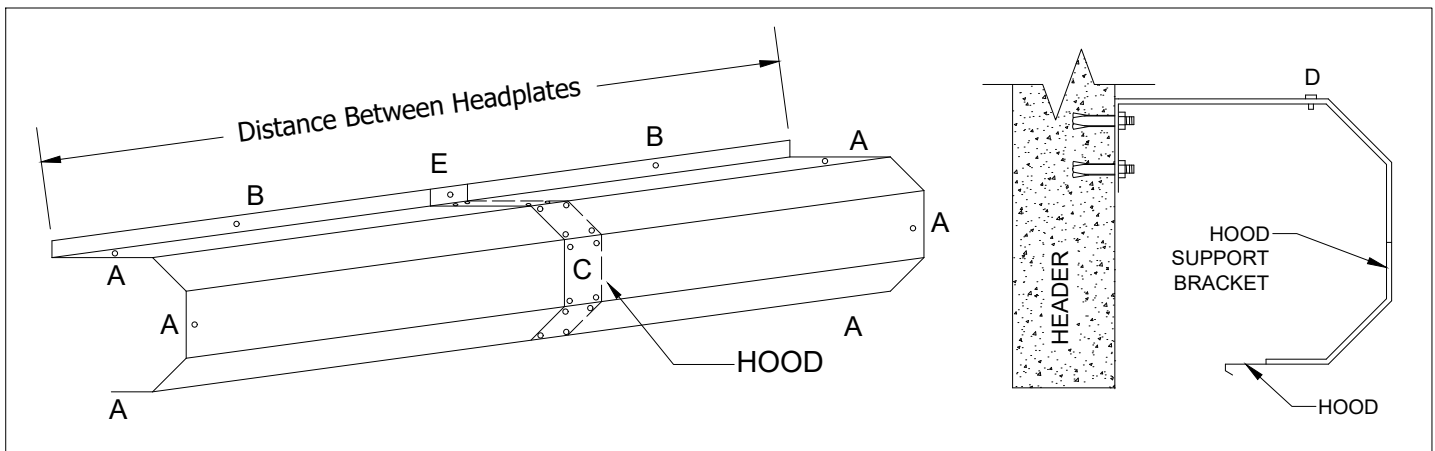


FIGURE 13

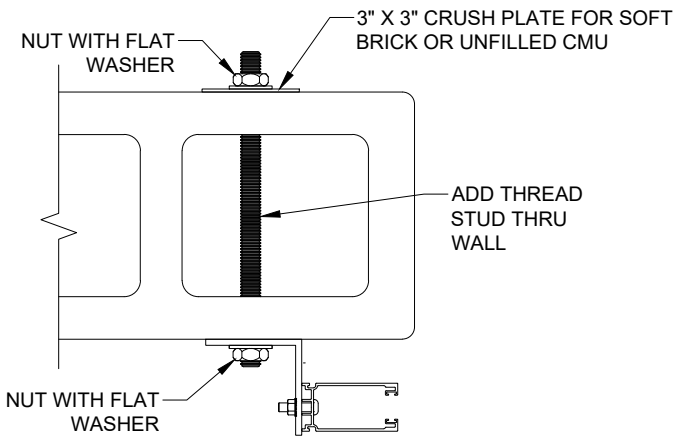
# CHECKLIST

Proceed through the list, checking for correct operation and potential error.

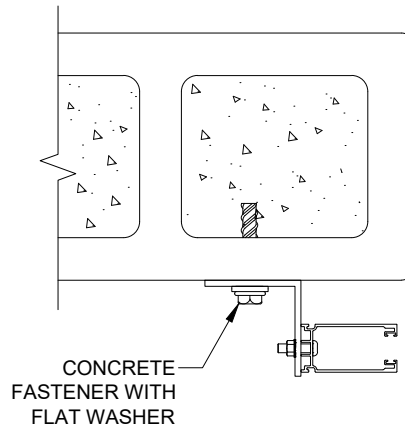
If any components do not function properly, refer back to the relevant step or the Troubleshooting guide (Appendix-D).

- a. Clear the doorway and closing path of the door.....
- b. Lower and raise the door several times.....
- c. Inspect curtain to certify that the slats are centered and do not rub on the headplates.....
- d. Operator limits adjusted to for reliable operation and complete range of travel with no binding or dragging.....
- e. All fasteners are correctly installed and secured tightly.....
- f. Attach the product safety labels as directed on labels.....
- g. Apply sensing edge warning label if applicable.....
- h. The bottom bar must rest on the floor when in the closed position.....
- i. The bottom bar must rest near or on the headstops when in the fully open position.....
- j. The bottom bar must be level in both the open and closed position.....

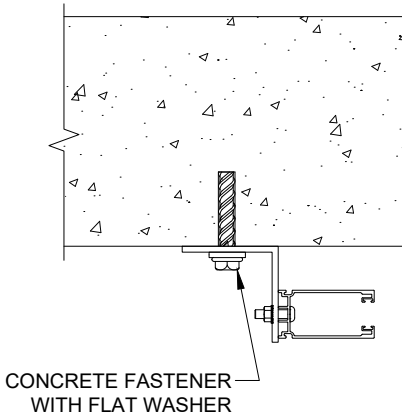
# APPENDIX A: GUIDE MOUNTING DETAIL



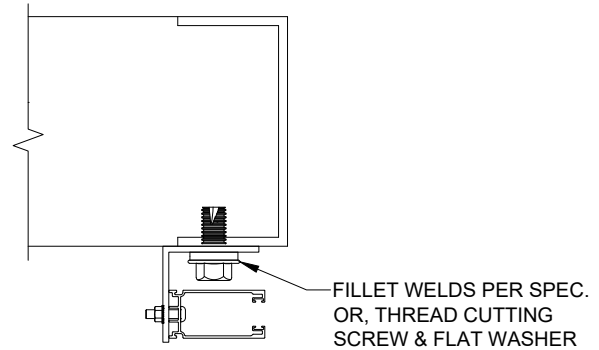
LEG OUT, LEFT SIDE, MOUNTED TO UNFILLED CMU



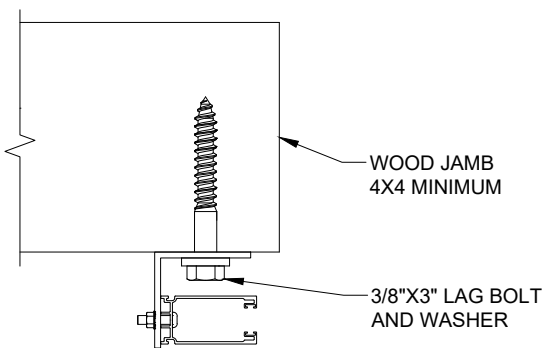
LEG OUT, LEFT SIDE, MOUNTED TO FILLED CMU



LEG OUT, LEFT SIDE, MOUNTED TO CONCRETE



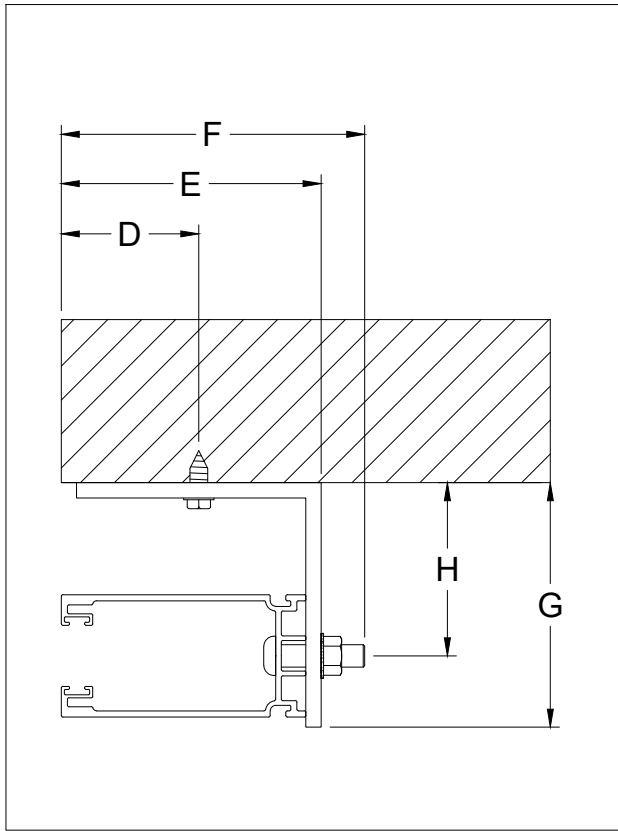
LEG IN, LEFT SIDE, MOUNTED TO STEEL



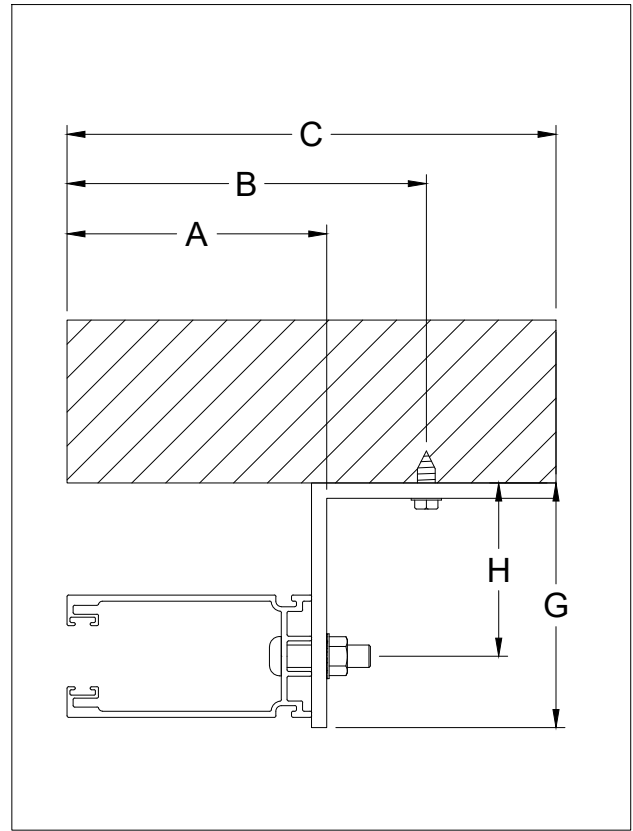
LEG IN, LEFT SIDE, MOUNTED TO WOOD

ALL DETAILS DEPICT LEFT SIDE, ABOVE-VIEW ORIENTATION. RIGHT HAND OPPOSITE.

# APPENDIX B: GUIDE MEASUREMENT DETAIL



LEG - IN



LEG - OUT

TABLE 3: GUIDE DIMENSIONS - FACE OF WALL

TYPE	SIZING	A	B	C	D	E	F	G	H
2HP	HEIGHT < 14FT	3 <sup>3</sup> / <sub>16</sub> "	4 <sup>1</sup> / <sub>2</sub> "	6"	1 <sup>11</sup> / <sub>16</sub> "	3 <sup>3</sup> / <sub>16</sub> "	3 <sup>9</sup> / <sub>16</sub> "	3"	2 <sup>1</sup> / <sub>8</sub> "

# APPENDIX C: MOUNTING METHODS

This section provides essential details related to specific hardware required in each possible mounting application. Make note of your guide style and the material it is mounted to and follow these notes accordingly. See Figure 3 (Page 3) and the Parts Overview (Page 1 & Page 2) to differentiate Left and Right side Wall Angles, Inner/Outer Angles.

**NOTE:** Use only fasteners provided and approved by Asta America. Reference Table 3 to determine correct jamb fastener type and hole size for your application.

TABLE 4: MOUNTING HARDWARE			
JAMB	FASTENER	DRILL SIZE	NOTES
STEEL	$\frac{3}{8}$ "-16 X $1\frac{1}{4}$ " TYPE 23 THD CUT SCREW	$\frac{11}{32}$ "	$\frac{3}{16}$ " THICK STEEL JAMBS MINIMUM
	$\frac{3}{8}$ "-16 X $1\frac{1}{4}$ " HEX BOLT AND NUT	$\frac{7}{16}$ "	
CONCRETE OR FILLED BLOCK	$\frac{3}{8}$ " X 4" DEWALT SCREW-BOLT+	$\frac{3}{8}$ " ANSI B212.15	CLEAR HOLES OF CONCRETE DUST BEFORE INSTALLING FASTENER
UNFILLED BLOCK OR SOFT BRICK	$\frac{3}{8}$ " THREADED ROD & NUTS	$\frac{7}{16}$ "	INSTALL CRUSH PLATES ON OPPOSITE SIDE OF WALL
WOOD	$\frac{3}{8}$ " X 3" LAG BOLT	$\frac{3}{16}$ "	4" X 4" JAMB MINIMUM

**NOTE:** It is the manufacturers intent that E-type guides be disassembled prior to installation for attachment by machine screws or lag bolts. E-Type guides that are to be welded may be assembled if preferred.

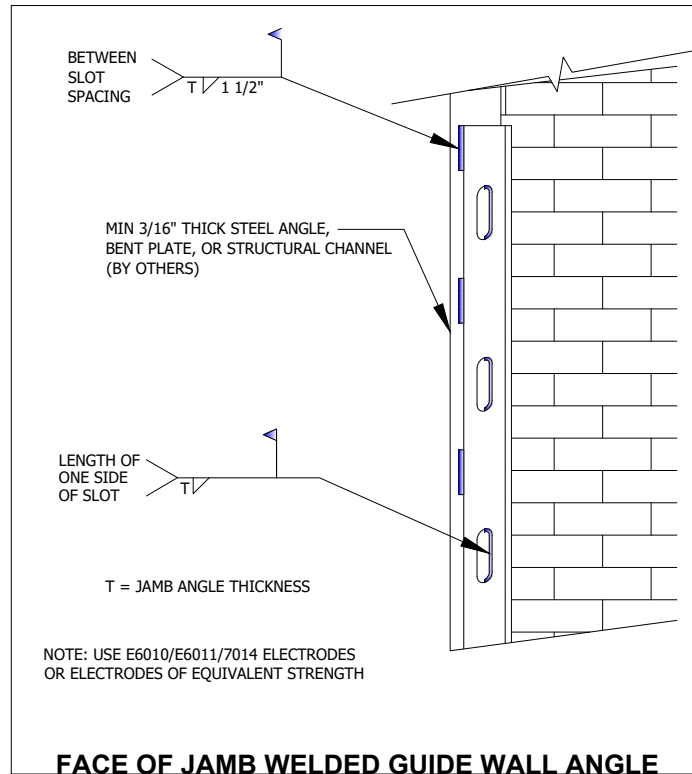


FIGURE 14

# APPENDIX C: MOUNTING METHODS

## Welding wall angles to steel jambs:

- a. Create weldments only within the specifications shown in Figure 14 (APPX-C)
- b. Guide angles are designed to be set upon the floor unless one angle requires the use of shims at the floor level to Create guide elevations as shown in Figure 16.
  - b.a. Create level elevation marks at left and right jamb faces using a level reference device or survey instrument as shown in Figure 16.
  - b.b. Measure the distance from each level reference mark to the floor to determine if the floor is level.
  - b.c. Shim underneath the angles as needed to ensure equal height.
  - b.d. Wall angles may extend above steel jambs onto masonry (see figure 15).
    - b.d.a. In this case, attach with masonry anchors of size and type recommended by Table 4 (APPX-C).
    - b.d.b. Shim with washers as required to maintain a flush mounting surface for the wall angle.
- c. Verify that the low side of the wall angle is shimmed to the correct height before permanent attachment to the jamb.

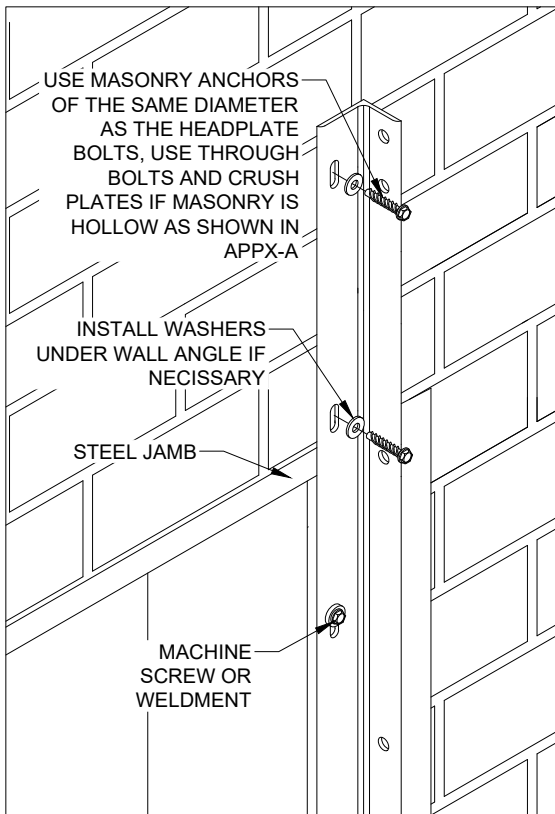


FIGURE 15

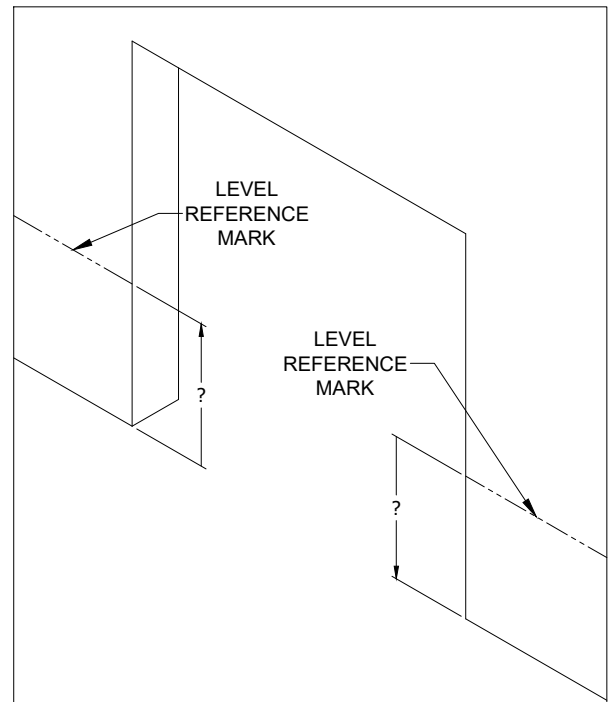


FIGURE 16

# APPENDIX D: TROUBLESHOOTING

## TROUBLESHOOTING

ISSUE	SOLUTION
MISSING/DAMAGED PARTS OR FURTHER ASSISTANCE	Contact ASTA AMERICA AT 770-947-2600
DIFFICULT TO OPEN OR CLOSE	Check guides for any obstructions, if none see "curtain rubs on headplate or guides".
CURTAIN RUBS ON HEADPLATES OR GUIDES	Verify "W" dimension (reference step 2), verify stop and bottom distances of the guides. center each slat on the barrel.
HEADSTOPS SCRAPE CURTAIN	Headstops can be bent out slightly if scraping occurs. Contact asta america if touch up paint is needed.
CURTAIN ROLLS TO ONE SIDE "CONING"	Check that the barrel is level. If not level, raise low side headplate. Center the barrel between headplates and starting at the top, center each slat between the headplates by prying between the headplate and the endlock/windlock on the slat to move it towards the center.
DOOR DOES NOT OPEN OR CLOSE WHEN OPERATED	Verify keystock is seated in the keyway and set screws are tightened.
HOOD SAGGING EXCESSIBLY	If using multiple hood sections, ensure they are connected as described in step 12. Check hood support spacing. Identify the low spot and move the closest support to the halfway point between where it is and where the low spot is.
ELECTRIC OPERATOR NOT WORKING	For issues with electric operators, please contact ASTA America.

638 Cassville White Rd NW  
Cartersville, GA 30121

Office: 770-974-2600  
Fax: 770-974-1455  
[www.astaamerica.com](http://www.astaamerica.com)



**ASTA**AMERICA®

---

BY JANUS INTERNATIONAL